

FEBRUARY 12, 2020

ITEM E-2

ATTACHMENT C

# Nipomo Community Services District Interconnection Project

## Draft Initial Study and Mitigated Negative Declaration



*Lead Agency:*

Nipomo Community Services District  
148 South Wilson Street  
Nipomo, CA 93444

*Prepared by:*

SWCA Environmental Consultants  
1422 Monterey Street, B-C200  
San Luis Obispo, CA 93401

**November 2019**

# TABLE OF CONTENTS

Environmental Determination Form .....	3
Environmental Factors Potentially Affected.....	11
Lead Agency Determination .....	11
Evaluation of Environmental Impacts .....	12
I.        Aesthetics .....	13
II.       Agriculture and Forestry Resources.....	15
III.      Air Quality .....	18
IV.       Biological Resources .....	27
V.        Cultural Resources .....	36
VI.       Energy .....	39
VII.      Geology and Soils .....	40
VIII.     Greenhouse Gas Emissions.....	45
IX.       Hazards and Hazardous Materials .....	47
X.        Hydrology and Water Quality.....	51
XI.       Land Use and Planning .....	56
XII.      Mineral Resources .....	57
XIII.     Noise .....	58
XIV.      Population and Housing.....	60
XV.       Public Services.....	62
XVI.      Recreation .....	64
XVII.     Transportation.....	65
XVIII.    Tribal Cultural Resources .....	68
XIX.      Utilities and Service Systems.....	70
XX.       Wildfire .....	72
XXI.      Mandatory Findings of Significance.....	76
Attachments .....	78

# ENVIRONMENTAL DETERMINATION FORM

**1. Project Title:**

Nipomo Community Services District Interconnection Project

**2. Lead Agency Name and Address:**

Nipomo Community Services District  
Peter Sevcik, Director of Engineering and Operations  
148 South Wilson Street  
Nipomo, CA 93444

**3. Contact Person and Phone Number**

Peter Sevcik  
Nipomo Community Services District  
805-929-1133

**4. Project Location:**

The proposed project is located in San Luis Obispo County in the unincorporated community of Nipomo. The proposed Nipomo Community Services District Interconnection Project would install three new underground facilities: the Golden State Water Company Interconnection Facility located at the intersection of Orchard Avenue and Primavera Lane, the Golden State Water Company – Cypress Ridge Interconnection Facility located at the intersection of Lyn Road and Red Oak Way, and the Woodlands Mutual Water Company Interconnection Facility located near the intersection of Via Concha Road and north of Trail View Place.

**5. Project Sponsor's Name and Address:**

Nipomo Community Services District  
148 South Wilson Street  
Nipomo, CA 93444

**6. General Plan Designation:**

- GSWC Facility: Residential – Suburban (RS)
- GSWC-CR Facility: Residential – Rural (RR)
- WMWC Facility: Recreation (REC)

**7. Zoning:**

- N/A

## 8. Project Background

The Nipomo Community Services District (NCSD) has historically relied on groundwater pumped from the Nipomo Mesa Management Area (NMMA) of the Santa Maria Groundwater Basin, an aquifer that has been adjudicated since 2008. In 2015, the NCSD completed a portion of the Nipomo Supplemental Water Project (NSWP), allowing the NCSD to receive imported water from the City of Santa Maria. The NSWP allows the NCSD and the other water suppliers on the Nipomo Mesa to reduce pumping from existing wells to slow the depletion of groundwater and to reduce the potential for seawater intrusion on the Nipomo Mesa. The NSWP is consistent with the settlement agreement (Stipulation) and the judgment related to the groundwater adjudication of the Santa Maria Groundwater Basin.

The NSWP partner purveyors within the Nipomo Mesa Management Area include Woodlands Mutual Water Company (WMWC) and Golden State Water Company (GSWC), both of which receive NSWP water under the Supplemental Water Management and Groundwater Replenishment Agreement (Replenishment Agreement) with the NCSD. Under the Replenishment Agreement and as provided in the Stipulation, GSWC and WMWC have a purveyor purchase allocation of 16.66% and 8.33%, respectively, of the total 2,500 acre-feet a year delivered through the NSWP to the NCSD. At the time the Stipulation and Replenishment Agreement were entered into, a third water supplier, Rural Water Company, was required to purchase an additional 8.33% of the water delivered through the NSWP. GSWC has since purchased Rural Water Company and is now responsible for Rural Water Company's 8.33% share. Per the NSWP, the three new interconnection facilities would allow for the maximum allocations of water delivery to the GSWC and the WMWC. The new interconnection facilities and appurtenances are consistent of the NSWP and would be operated and maintained by the NCSD.

## 9. Description of Project

The NCSD proposes to construct and operate three new interconnection facilities to provide supplemental water to the GSWC and the WMWC in the Nipomo Mesa (Figure 1). The interconnection facilities would connect the NCSD pipelines to the GSWC and WMWC pipelines and allow for the delivery of water to GSWC and WMWC from the NCSD pursuant to the Replenishment Agreement. The proposed facilities include the Golden State Water Company Interconnection Facility (Figure 2), the Golden State Water Company – Cypress Ridge Interconnection Facility (Figure 3), and the Woodlands Mutual Water Company Interconnection Facility (Figure 4).

### Golden State Water Company Interconnection Facility

The Golden State Water Company Interconnection Facility (GSWC Facility) would be located outside the southwest portion of the NCSD's service boundary on the southern corner of the Primavera Lane and Orchard Road intersection (adjacent to Assessor Parcel Number (APN) 092-422-001). The GSWC Facility would connect to the existing Primavera Booster Pump Station, which is currently inactive and has served as an emergency interconnection between the NCSD and GSWC. Improvements would occur primarily underground and would require an 8-foot by 4-foot precast concrete vault to be installed 4 feet below the existing grade. The vault would be covered by a 4-foot by 4-foot double-leaf aluminum access hatch installed at ground level. The new interconnection would also require demolition of the existing vault and associated piping and valves and the installation of new flow control valves, isolation valves, appurtenances, and above grade electrical and control panels that would be approximately 8 feet wide and 2 feet tall. Improvements would occur outside of the paved road and within the County of San Luis Obispo's right-of-way. The estimated depth of excavation for the vault and associated piping is approximately 5 feet, requiring the removal of approximately 10 cubic-yards of material. The

total area of site disturbance would be approximately 500 square feet and would increase the total impervious surface area by 50 square feet. No additional access requirements for the GSWC Facility are anticipated and site disturbance including vegetation removal would be minimal. Construction of the GSWC Facility and associated appurtenances is estimated to last 4 months.

The GSWC Facility would tie into the NCSD's existing 6-inch waterline located on Orchard Road at the southwestern end of the NCSD's service area and would tie directly into the GSWC distribution system via a 6-inch waterline at the existing interconnection.

#### Golden State Water Company – Cypress Ridge Interconnection Facility

The Golden State Water Company – Cypress Ridge Interconnection Facility (GSWC-CR Facility) would be located within the western portion of the NCSD's service area boundary on the north side of Lyn Road, approximately 435 feet northwest of Red Oak Way (adjacent to APN 091-063-033). This facility would be used to provide NSWP water to the former Rural Water Company's service area. Improvements would occur primarily underground and would require an 8-foot by 4-foot precast concrete vault to be installed 4 feet below the existing grade. The vault would be covered by a 4-foot by 4-foot double-leaf aluminum access hatch installed at ground level. The new interconnection would also require installation of new flow control valves, isolation valves, appurtenances, and above grade electrical and control panels that would be approximately 8 feet wide and 2 feet tall. Improvements would occur outside of the paved road and within the County of San Luis Obispo's right-of-way. The estimated depth of excavation for the vault and associated piping is approximately 5 feet, requiring the removal of approximately 10 cubic yards of material. The total area of site disturbance would be approximately 500 square feet and would increase the total impervious surface area by 50 square feet. No additional access requirements for the GSWC-CR Facility are anticipated and site disturbance including vegetation removal would be minimal. Construction of the GSWC-CR Facility and associated appurtenances is estimated to last 4 months.

The GSWC-CR Facility would connect to an existing NCSD 10-inch waterline located underneath Lyn Road at the northwestern boundary of NCSD's water service area and connect to a new GSWC 8-inch waterline that was installed by GSWC to serve its Cypress Ridge service area (see the Golden State Water Company: Cypress Ridge NCSD Interconnection Pipeline Project SCH#2018071025).

#### Woodlands Mutual Water Company Interconnection Facility

The Woodlands Mutual Water Company Interconnection Facility (WMWC Facility) would be located outside the NCSD's service area boundary near the intersection of Via Concha Road and Trail View Place in the Woodlands planned development. Improvements would occur primarily underground and would require replacing an existing 8-inch NCSD unmetered emergency intertie with an 8-foot by 4-foot precast concrete vault to be installed 4 feet below the existing grade. The vault would be covered by a 4-foot by 4-foot double-leaf aluminum access hatch installed at ground level. The new interconnection would also require installation of new flow control valves, isolation valves, appurtenances, and above grade electrical and control panels that would be approximately 8 feet wide and 2 feet tall. The WMWC Facility would require electrical service from Pacific Gas & Electric Company (PG&E) and include the extension of power lines from an existing PG&E power pole to a new power pole along Camino Caballo and the underground installation of a 3-inch electrical conduit from the new power pole to the WMWC Facility. All improvements would occur in The Woodlands, a master planned community, on APN 091-600-009. The NCSD would be required to acquire permanent easements from the Woodlands Master Association to install the interconnection facility and appurtenances. The estimated depth of excavation for the vault and associated piping is approximately 5 feet, requiring the removal of approximately 35 cubic-yards of material. The total site disturbance would be approximately 900

square feet and would increase the total impervious surface area by 50 square feet. The WMWC Facility would also require the construction of a new 12-foot wide all-weather access drive via Camino Caballo, requiring the removal of existing vegetation including 9 eucalyptus trees. Construction of the WMWC Facility and associated appurtenances is estimated to last 4 months.

**10. Surrounding Land Uses and Setting**

All three proposed facilities would be located within the South County Planning Area in the South County Inland Sub Area in the unincorporated community of Nipomo in San Luis Obispo County. As designated by the County's General Plan, the GSWC Facility is within the Residential Suburban land use category near a rural residential neighborhood. The new facility would be sited on a relatively level area currently covered with native grasses and weeds surrounded by gently sloping hills and valleys. The nearest creek is Nipomo Creek, located approximately 1 mile northeast of the GSWC Facility, on the east side of Highway 101. The GSWC-CR Facility is within the Residential Rural land use category near a rural neighborhood. The new facility would be sited on a relatively level area currently covered with native grasses and weeds surrounded by gently to moderately sloping hills and valleys vegetated with grasses, oaks and eucalyptus trees. The nearest creek is Los Berros Creek, located approximately 0.60 mile north of the GSWC-CR Facility. The WMWC Facility is within the Recreation land use category in the Woodlands planned development. The new facility would be sited on a gently sloping hill surrounded by grasses and eucalyptus trees. The nearest creeks are an unnamed tributary of the Oso Flaco Creek, approximately 1.57 miles southwest of the WMWC Facility, an unnamed tributary to Black Lake, approximately 1.70 miles north of the WMWC Facility, and the Santa Maria River, approximately 3.58 miles south of the WMWC Facility.

**11. Other public agencies whose approval may be required (e.g., permits, financing approval, or participation agreement):**

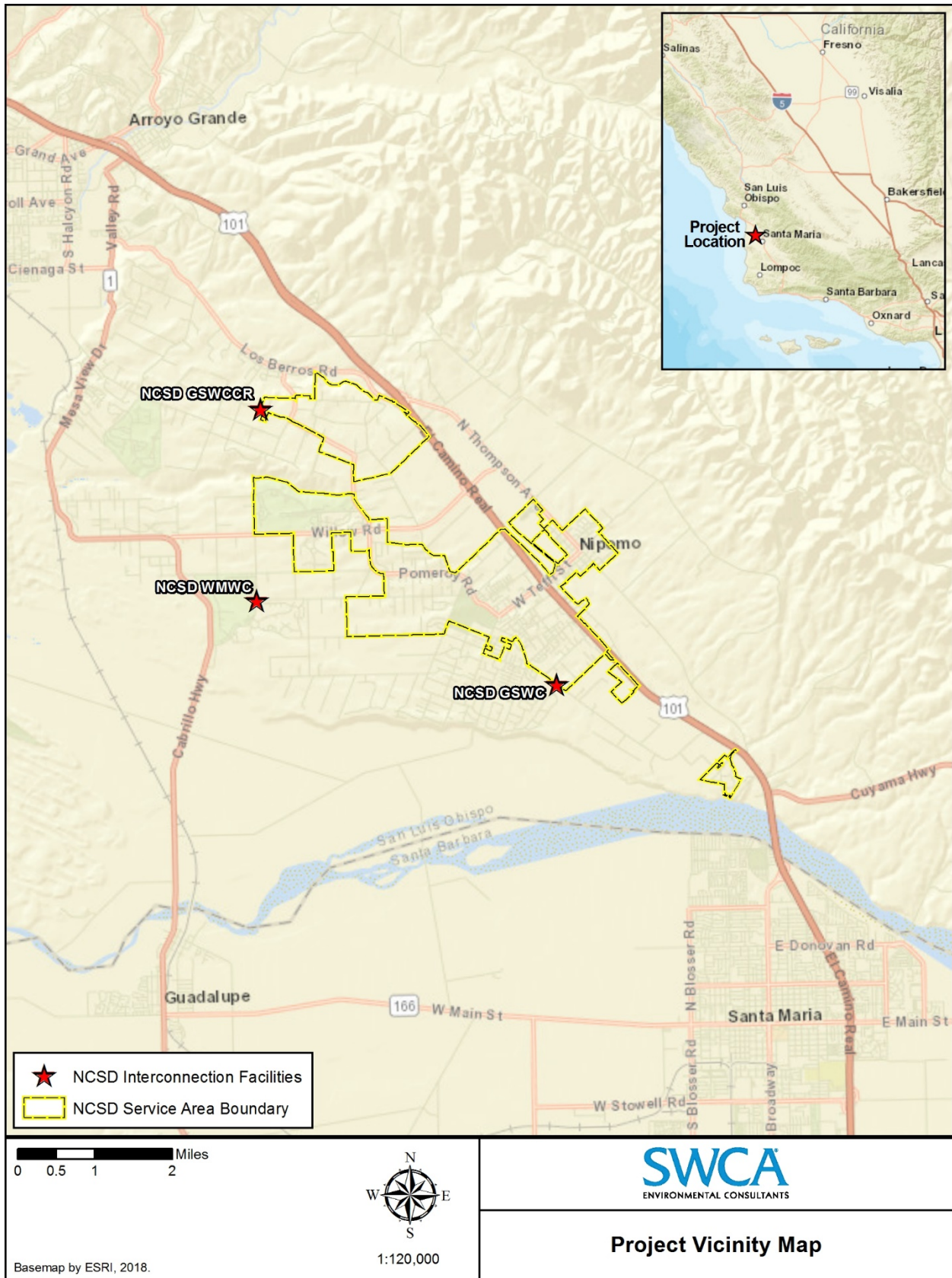
- County of San Luis Obispo – Encroachment Permit (non-discretionary)

**12. Have California Native American tribes traditionally and culturally affiliated with the project area requested consultation pursuant to Public Resources Code Section 21080.3.1? If so, has consultation begun?**

Pursuant to Public Resources Code Section 21080.3.1, the NCSD (the CEQA Lead Agency) submitted notification letters on September 19, 2018 to the yak tiʔu tiʔu - Northern Chumash Tribe, the Northern Chumash Tribal Council, the Santa Ynez Band of Chumash Indians, and the San Luis Obispo County Chumash Council. On September 20, 2018, the NCSD received a request for consultation from Mona Tucker of the yak tiʔu tiʔu - Northern Chumash Tribe and consultation was initiated on October 5, 2018. On October 8, 2018, Fred Collins of the Northern Chumash Tribal Council requested that the records search and archaeological reports prepared for the project be submitted to the Northern Chumash Tribal Council. The results of the consultation process are summarized under section XVIII. Tribal Cultural Resources, below.

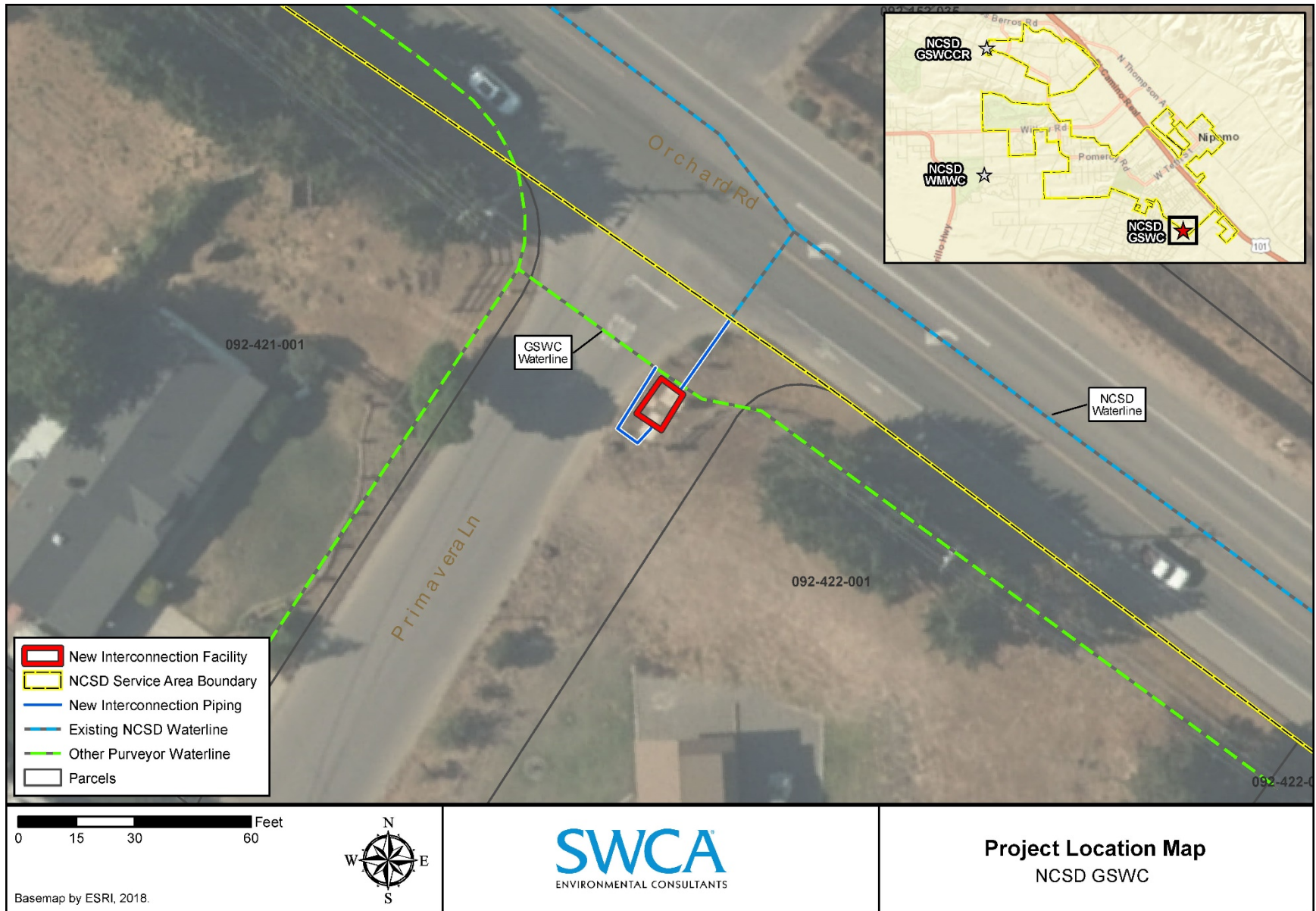


**Figure 1. Project Vicinity Map**

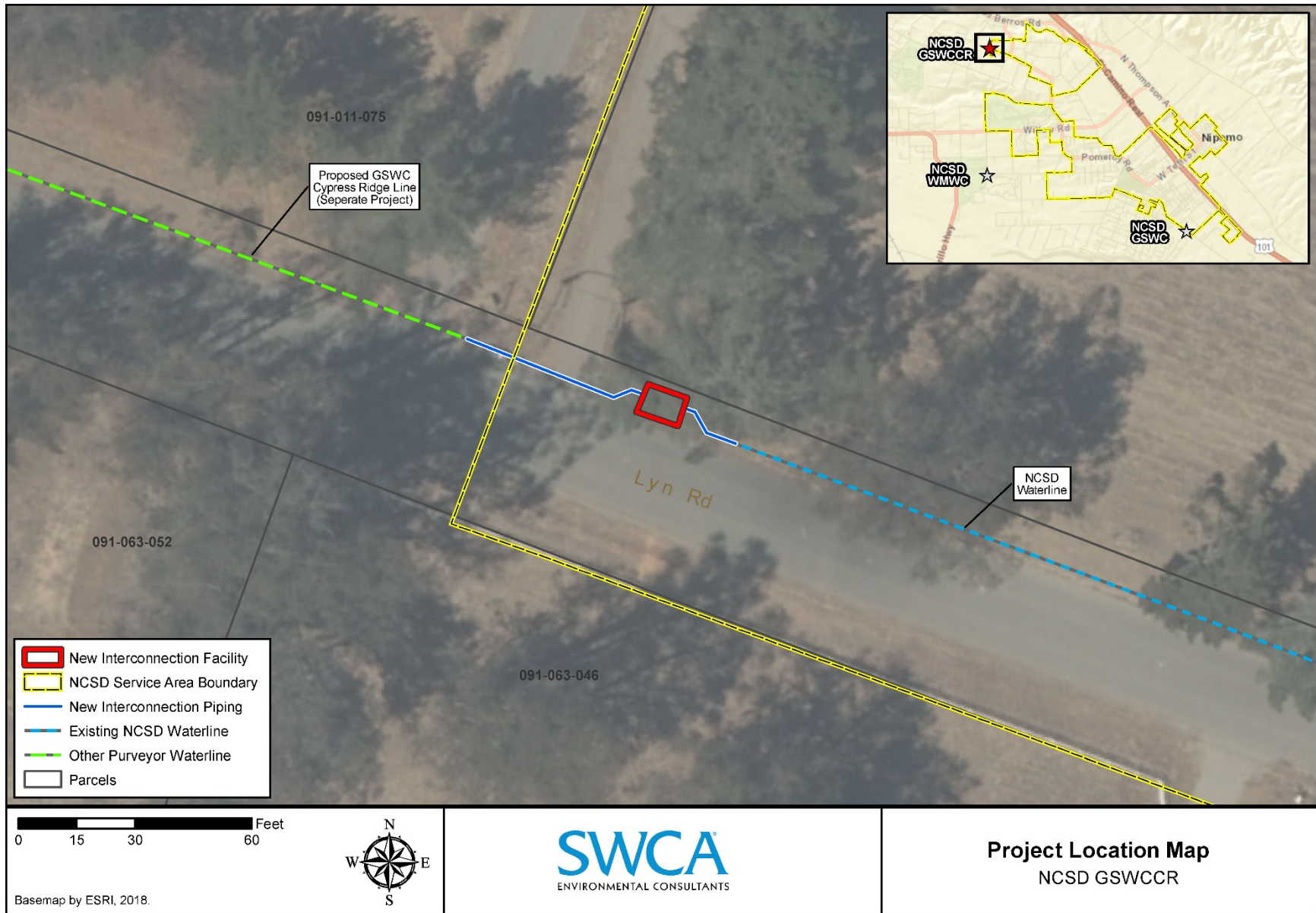




**Figure 2. Golden State Water Company Interconnection Facility Location Map**

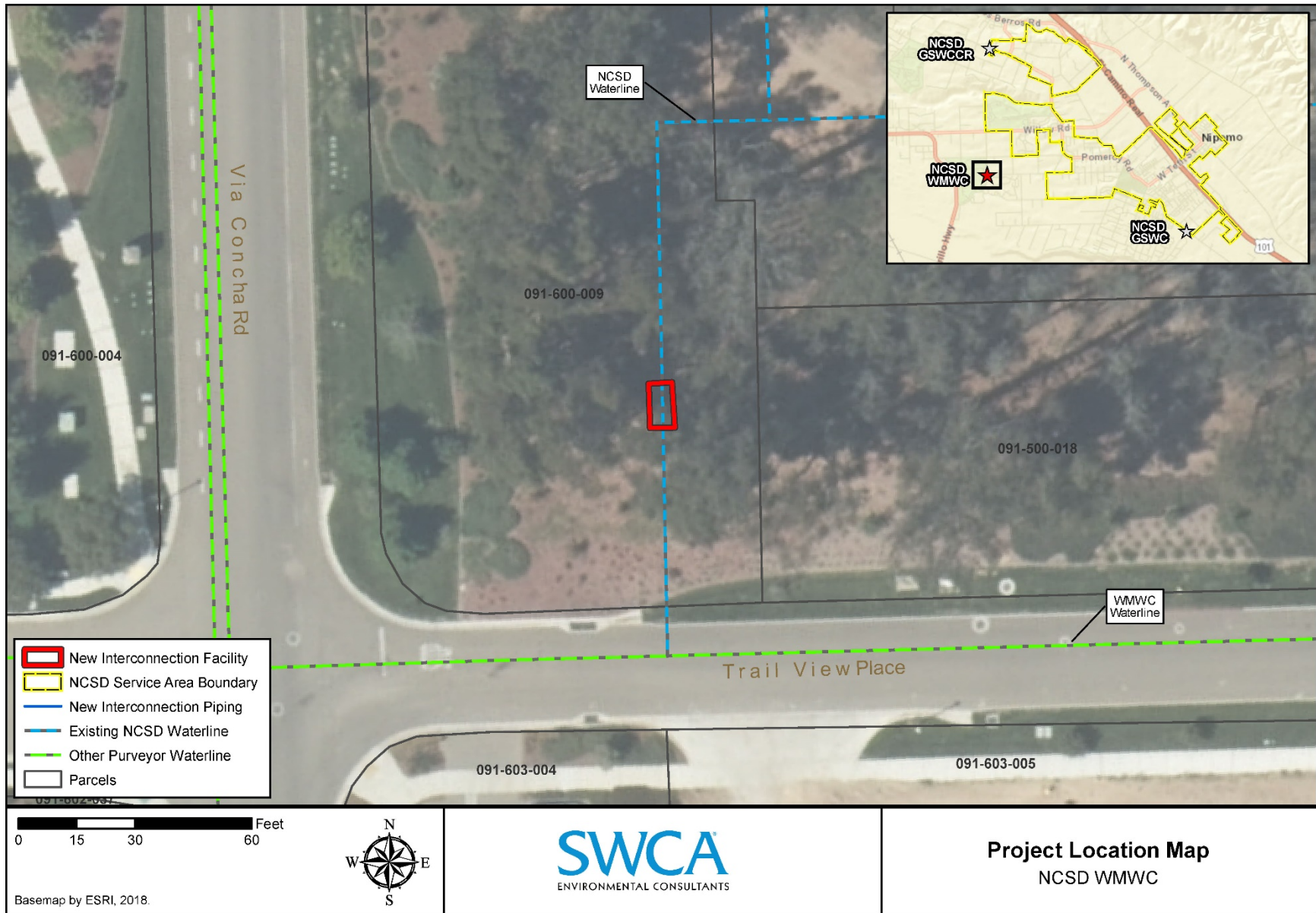


**Figure 3. Golden State Water Company Interconnection – Cypress Ridge Facility Location Map**





**Figure 4. Woodlands Mutual Water Company Interconnection Facility Location Map**



## Environmental Factors Potentially Affected

The environmental factors checked below would be potentially affected by this project, involving at least one impact that is a "Potentially Significant Impact" as indicated by the checklist on the following pages.

- |  |   |  |
|--|---|--|
| <input type="checkbox"/> Aesthetics                      | <input type="checkbox"/> Agriculture and Forestry Resources | <input checked="" type="checkbox"/> Air Quality                        |
| <input checked="" type="checkbox"/> Biological Resources | <input checked="" type="checkbox"/> Cultural Resources      | <input type="checkbox"/> Energy  |
| <input checked="" type="checkbox"/> Geology /Soils       | <input type="checkbox"/> Greenhouse Gas Emissions           | <input type="checkbox"/> Hazards & Hazardous Materials                 |
| <input type="checkbox"/> Hydrology / Water Quality       | <input type="checkbox"/> Land Use / Planning                | <input type="checkbox"/> Mineral Resources                             |
| <input checked="" type="checkbox"/> Noise                | <input type="checkbox"/> Population / Housing               | <input type="checkbox"/> Public Services                               |
| <input type="checkbox"/> Recreation                      | <input type="checkbox"/> Transportation/Traffic             | <input checked="" type="checkbox"/> Tribal Cultural Resources          |
| <input type="checkbox"/> Utilities / Service Systems     | <input type="checkbox"/> Wildfire                           | <input checked="" type="checkbox"/> Mandatory Findings of Significance |

## Lead Agency Determination

On the basis of this initial evaluation:

- I find that the proposed project COULD NOT have a significant effect on the environment, and a NEGATIVE DECLARATION will be prepared.
- I find that although the proposed project could have a significant effect on the environment, there will not be a significant effect in this case because revisions in the project have been made by or agreed to by the project proponent. A MITIGATED NEGATIVE DECLARATION will be prepared.
- I find that the proposed project MAY have a significant effect on the environment, and an ENVIRONMENTAL IMPACT REPORT is required.
- I find that the proposed project MAY have a “potentially significant impact” or “potentially significant unless mitigated” impact on the environment, but at least one effect 1) has been adequately analyzed in an earlier document pursuant to applicable legal standards, and 2) has been addressed by mitigation measures based on the earlier analysis as described on attached sheets. An ENVIRONMENTAL IMPACT REPORT is required, but it must analyze only the effects that remain to be addressed.
- I find that although the proposed project could have a significant effect on the environment, because all potentially significant effects (a) have been analyzed adequately in an earlier EIR or NEGATIVE DECLARATION pursuant to applicable standards, and (b) have been avoided or mitigated pursuant to that earlier EIR or NEGATIVE DECLARATION, including revisions or mitigation measures that are imposed upon the proposed project, nothing further is required.

## Evaluation of Environmental Impacts

- 1) A brief explanation is required for all answers except "No Impact" answers that are adequately supported by the information sources a lead agency cites in the parentheses following each question. A "No Impact" answer is adequately supported if the referenced information sources show that the impact simply does not apply to projects like the one involved (e.g., the project falls outside a fault rupture zone). A "No Impact" answer should be explained where it is based on project-specific factors as well as general standards (e.g., the project will not expose sensitive receptors to pollutants, based on a project-specific screening analysis).
- 2) All answers must take account of the whole action involved, including off-site as well as on-site, cumulative as well as project-level, indirect as well as direct, and construction as well as operational impacts.
- 3) Once the lead agency has determined that a particular physical impact may occur, then the checklist answers must indicate whether the impact is potentially significant, less than significant with mitigation, or less than significant. "Potentially Significant Impact" is appropriate if there is substantial evidence that an effect may be significant. If there are one or more "Potentially Significant Impact" entries when the determination is made, an EIR is required.
- 4) "Negative Declaration: Less Than Significant With Mitigation Incorporated" applies where the incorporation of mitigation measures has reduced an effect from "Potentially Significant Impact" to a "Less Than Significant Impact." The lead agency must describe the mitigation measures, and briefly explain how they reduce the effect to a less than significant level (mitigation measures from "Earlier Analyses," as described in (5) below, may be cross-referenced).
- 5) Earlier analyses may be used where, pursuant to the tiering, program EIR, or other CEQA process, an effect has been adequately analyzed in an earlier EIR or negative declaration. Section 15063(c)(3)(D). In this case, a brief discussion should identify the following:
  - a) Earlier Analysis Used. Identify and state where they are available for review.
  - b) Impacts Adequately Addressed. Identify which effects from the above checklist were within the scope of and adequately analyzed in an earlier document pursuant to applicable legal standards, and state whether such effects were addressed by mitigation measures based on the earlier analysis.
  - c) Mitigation Measures. For effects that are "Less than Significant with Mitigation Measures Incorporated," describe the mitigation measures, which were incorporated or refined from the earlier document and the extent to which they address site specific conditions for the project.
- 6) Lead agencies are encouraged to incorporate into the checklist references to information sources for potential impacts (e.g., general plans, zoning ordinances). Reference to a previously prepared or outside document should, where appropriate, include a reference to the page or pages where the statement is substantiated.
- 7) Supporting Information Sources: A source list should be attached, and other sources used or individuals contacted should be cited in the discussion.
- 8) This is only a suggested form, and lead agencies are free to use different formats; however, lead agencies should normally address the questions from this checklist that are relevant to a project's environmental effects in whatever format is selected.
- 9) The explanation of each issue should identify:
  - a) the significance criteria or threshold, if any, used to evaluate each question; and
  - b) the mitigation measure identified, if any, to reduce the impact to less than significance.

	Potentially Significant Impact	Less Than Significant with Mitigation Incorporated	Less Than Significant Impact	No Impact
--	--------------------------------	--	------------------------------	-----------

**I. AESTHETICS**

Except as provided in Public Resources Code Section 21099, would the project:

- |  |                          |                          |                                     |                                     |
|--|--------------------------|--------------------------|-------------------------------------|-------------------------------------|
| (a) Have a substantial adverse effect on a scenic vista?   | <input type="checkbox"/> | <input type="checkbox"/> | <input type="checkbox"/>            | <input checked="" type="checkbox"/> |
| (b) Substantially damage scenic resources, including, but not limited to, trees, rock outcroppings, and historic buildings within a state scenic highway?  | <input type="checkbox"/> | <input type="checkbox"/> | <input type="checkbox"/>            | <input checked="" type="checkbox"/> |
| (c) In non-urbanized areas, substantially degrade the existing visual character or quality of public views of the site and its surroundings? (public views are those that are experienced from publicly accessible vantage point). If the project is in an urbanized area, would the project conflict with applicable zoning and other regulations governing scenic quality? | <input type="checkbox"/> | <input type="checkbox"/> | <input checked="" type="checkbox"/> | <input type="checkbox"/>            |
| (d) Create a new source of substantial light or glare which would adversely affect day or nighttime views in the area?   | <input type="checkbox"/> | <input type="checkbox"/> | <input type="checkbox"/>            | <input checked="" type="checkbox"/> |

**Setting**

The interconnection facilities are located near existing suburban and rural residential developments within the unincorporated community of Nipomo in San Luis Obispo County. Improvements associated with each of the interconnection facilities would require installation of a below grade concrete vault and associated piping and valves. Additional trenching would be required to connect the new facilities with the existing adjacent waterlines. Aboveground improvements would be limited to electrical equipment and instrument panels within a low-lying 8-foot wide by 2-foot tall enclosure. The GSWC and GSWC-CR facilities would be located within the County’s right-of-way, outside the area of pavement, and the WMWC facility would be setback from the roadway on a parcel associated with the Woodlands development. The WMWC Facility would also require the development of an access road resulting in the removal of vegetation and 9 eucalyptus trees. The topography for each site is relatively flat to gently sloping, surrounded by ruderal vegetation and grasses with occasional trees. The interconnection facilities are not within a visually sensitive area or overlay zone and would not be visible from a state scenic highway. There are no other scenic resources within the project vicinity.

**Discussion**

- (a) *Have a substantial adverse effect on a scenic vista?*

**No Impact.** The improvements associated with the three interconnection facilities would primarily occur underground, including the installation of a vault and adjacent waterline connections. Aboveground improvements would be minimal and include installation of low-lying



instrument and electrical control panels within a small, low-lying enclosure. The project site is not within view of any designated or unofficial scenic vistas in the project vicinity. Additional access development for the WMWC Facility would require tree (eucalyptus) and vegetation removal and grading for an all-weather road, however, these activities would be largely undetectable from mid- or long-range views within the Nipomo mesa. Therefore, these changes would not result in adverse effects on a scenic vista. The new facilities would be located within the County's right-of-way and on a parcel associated with The Woodlands and would not result in a substantial adverse effect on a vista. Therefore, no impacts would occur, and no mitigation is necessary.

- (b) *Substantially damage scenic resources, including, but not limited to, trees, rock outcroppings, and historic buildings within a state scenic highway?*

**No Impact.** The proposed interconnection facility sites are not within or adjacent to an officially designated state scenic highway. The nearest interconnection facility to U.S. Route (U.S.) 101, an eligible state scenic highway, is located approximately 0.75 mile away. The proposed project components would not be visible to viewers travelling along U.S. Route 101 due to existing topography, vegetation, and development. No impacts would occur, and no mitigation is necessary.

- (c) *In non-urbanized areas, substantially degrade the existing visual character or quality of public views of the site and its surroundings? (public views are those that are experienced from publicly accessible vantage point). If the project is in an urbanized area, would the project conflict with applicable zoning and other regulations governing scenic quality?*

**Less than Significant Impact.** Improvements predominantly include the underground installation of a vault and associated piping, valves and adjacent waterline connections. Each facility would include aboveground electrical control panels within a low-lying 8-foot wide by 2-foot tall enclosure with muted tones matching the surrounding landscape (e.g. beige, gray or green). The new enclosures would be consistent with similar aboveground infrastructure commonly associated with other utility providers and frequently seen throughout Nipomo and the County. The WMWC Facility would require the development of an access road and the removal of vegetation and 9 eucalyptus trees. Vegetation and tree removal would not result in a substantial noticeable change to the project site as seen from public vantage points. No visually significant infrastructure or appurtenant structures would be constructed as part of the new interconnection facilities. Proposed improvements would be predominantly subsurface, and aboveground infrastructure would be consistent with the existing visual character and quality of the site and its surroundings. The project would not substantially degrade visual character or quality of public views and would not conflict with applicable zoning or other regulations governing scenic quality. Impacts related to short-term site disturbance and construction activity would be less than significant, and no mitigation is necessary.

- (d) *Create a new source of substantial light or glare which would adversely affect day or nighttime views in the area?*

**No Impact.** The proposed project would not include any new sources of light or glare; therefore, no impact would occur, and no mitigation is necessary.

**Conclusion**

The proposed project would not result in a significant adverse impact on scenic vistas, damage scenic resources, adversely affect the visual qualities of existing public views, conflict with applicable zoning or other regulations governing scenic quality, or add new sources of light or glare that would adversely impact day or nighttime views. Therefore, potential impacts would be less than significant, and no mitigation is necessary.

**Sources**

California Department of Transportation (Caltrans). 2018. California Scenic Highway Mapping System. Available at: [http://www.dot.ca.gov/hq/LandArch/16\\_livability/scenic\\_highways/](http://www.dot.ca.gov/hq/LandArch/16_livability/scenic_highways/). Accessed on August 24, 2018.

Potentially Significant Impact	Less Than Significant with Mitigation Incorporated	Less Than Significant Impact	No Impact
--------------------------------------	--	------------------------------------	-----------

**II. AGRICULTURE AND FORESTRY RESOURCES**

In determining whether impacts to agricultural resources are significant environmental effects, lead agencies may refer to the California Agricultural Land Evaluation and Site Assessment Model (1997) prepared by the California Dept. of Conservation as an optional model to use in assessing impacts on agriculture and farmland. In determining whether impacts to forest resources, including timberland, are significant environmental effects, lead agencies may refer to information compiled by the California Department of Forestry and Fire Protection regarding the state’s inventory of forest land, including the Forest and Range Assessment Project and the Forest Legacy Assessment project; and forest carbon measurement methodology provided in Forest Protocols adopted by the California Air Resources Board. Would the project:

- |   |                          |                          |                                     |                                     |
|---|--------------------------|--------------------------|-------------------------------------|-------------------------------------|
| (a) Convert Prime Farmland, Unique Farmland, or Farmland of Statewide Importance (Farmland), as shown on the maps prepared pursuant to the Farmland Mapping and Monitoring Program of the California Resources Agency, to non-agricultural use? | <input type="checkbox"/> | <input type="checkbox"/> | <input checked="" type="checkbox"/> | <input type="checkbox"/>            |
| (b) Conflict with existing zoning for agricultural use, or a Williamson Act contract?   | <input type="checkbox"/> | <input type="checkbox"/> | <input type="checkbox"/>            | <input checked="" type="checkbox"/> |

	Potentially Significant Impact	Less Than Significant with Mitigation Incorporated	Less Than Significant Impact	No Impact
(c) Conflict with existing zoning for, or cause rezoning of, forest land (as defined in Public Resources Code section 12220(g)), timberland (as defined by Public Resources Code section 4526), or timberland zoned Timberland Production (as defined by Government Code section 51104(g))?	<input type="checkbox"/>	<input type="checkbox"/>	<input type="checkbox"/>	<input checked="" type="checkbox"/>
(d) Result in the loss of forest land or conversion of forest land to non-forest use?	<input type="checkbox"/>	<input type="checkbox"/>	<input type="checkbox"/>	<input checked="" type="checkbox"/>
(e) Involve other changes in the existing environment which, due to their location or nature, could result in conversion of Farmland, to non-agricultural use or conversion of forest land to non-forest use?	<input type="checkbox"/>	<input type="checkbox"/>	<input type="checkbox"/>	<input checked="" type="checkbox"/>

**Setting**

Project Elements. The following area-specific elements relate to the property’s importance for agricultural production:

- Land Use Category: Residential Suburban, Residential Rural, Recreation
- State Classification: Urban and Built-Up, and Farmland of Local Potential
- Historic/Existing Commercial Crops: None
- In Agricultural Preserve? No
- Under Williamson Act contract? No

The soil type and characteristics for all three interconnection facilities include:

- 184. Oceano sand, 0-9% slopes. This very deep, excessively drained, nearly level to moderately sloping soil has rapid permeability and surface runoff is slow or medium. The hazard of water erosion is slight or moderate, and the hazard of wind erosion is high. This soil is classified as Farmland of Statewide Importance by the Natural Resource Conservation Service (NRCS).

**Discussion**

(a) *Convert Prime Farmland, Unique Farmland, or Farmland of Statewide Importance (Farmland), as shown on the maps prepared pursuant to the Farmland Mapping and Monitoring Program of the California Resources Agency, to non-agricultural use?*

**Less than Significant Impact.** The California Department of Conservation’s Farmland Mapping and Monitoring Program (FMMP) and San Luis Obispo County Important Farmland Maps (FMMP 2016) identifies the land within the project areas as Urban and Built-Up and as Farmland of Local Potential. The project does not propose any ground disturbance or additional work outside the areas identified for the new interconnection facilities and associated waterlines within the County right-of-way and Woodlands parcel, therefore, the project would have no potential to impact Prime Farmland, Unique Farmland, or Farmland of Statewide Importance. . The project

areas are unlikely to be used for agricultural uses in the future, as they are located entirely within existing right of way and/or adjacent to existing roadways. The Woodlands parcel is located within predominantly developed residential areas and is of an insufficient size and configuration in relation to adjacent uses to support agricultural activities. Therefore, potential impacts related to the conversion of important farmland would be less than significant, and no mitigation is necessary.

*(b) Conflict with existing zoning for agricultural use, or a Williamson Act contract?*

**No Impact.** The new interconnection facilities would be within the Residential Suburban, Residential Rural, and Recreation land use categories, and are not under Williamson Act Contract, within an agricultural preserve, or zoned for agricultural uses. The project would not conflict with existing zoning for agricultural uses or the Williamson Act. No impacts would occur, and no mitigation is necessary.

*(c) Conflict with existing zoning for, or cause rezoning of, forest land (as defined in Public Resources Code section 12220(g)), timberland (as defined by Public Resources Code section 4526), or timberland zoned Timberland Production (as defined by Government Code section 51104(g))?*

**No Impact.** The proposed project would not conflict with existing zoning for, or rezoning of, forest land, timberland, or areas of timberland zoned Timberland Production. The WMWC Facility would require removal of 9 eucalyptus trees, which are non-native tree species that do not meet the definition of forestland, timberland, or timberland zoned Timberland Production as defined in the Public Resources and Government Code 12220(g) Sections 4526 and 51104(g), and there is no forestland or timberland existing or zoned in the vicinity of the project. No impacts would occur, and no mitigation is necessary.

*(d) Result in the loss of forest land or conversion of forest land to non-forest use?*

**No Impact.** The new facilities would be located in a rural setting surrounded by suburban and rural residential uses. The WMWC Facility would remove several eucalyptus trees; however, eucalyptus are non-native and do not meet the definition of forestland. The proposed project would not result in the loss of or conversion of forestland; therefore, no impact would occur, and no mitigation is necessary.

*(e) Involve other changes in the existing environment which, due to their location or nature, could result in conversion of Farmland, to non-agricultural use or conversion of forest land to non-forest use?*

**No Impact.** The proposed project will not involve other changes in the existing environment which, due to their location or nature, could result in conversion of Farmland to nonagricultural use or conversion of forestland to non-forest use. The project site is within the Residential Suburban, Residential Rural, and Recreation land use categories and improvements would occur within existing County right-of-way and on the Woodlands parcel. The project would not adversely affect existing proximate agricultural uses, agricultural support services, or agricultural infrastructure or resources. The proposed project would not result in the indirect conversion of existing farm or forestland to another use. No impacts would occur, and no mitigation is necessary.

## **Conclusion**

The proposed project is within the Residential Suburban, Residential Rural, and Recreation land use categories and improvements would occur within an existing County right-of-way or on the Woodlands

parcel. The proposed project would be predominantly subsurface with minimal aboveground infrastructure and would not convert significant agricultural land to a non-agricultural use. The project would not conflict with existing agricultural or forest land zoning, result in the loss of forestland, or involve any other land use conversions. The proposed project would not result in a significant adverse impact to Agricultural and Forest Resources, and no mitigation is necessary.

**Sources**

California Department of Conservation. 2016. Farmland Mapping and Monitoring Program. Available at: <http://maps.conservation.ca.gov/dlrp/ciftimeseries/>. Accessed on: August 24, 2018.

County of San Luis Obispo (County). 2018. Land Use View: Agricultural-Williamson Act Available at: <https://gis.slocounty.ca.gov/sites/luview.htm>. Accessed on: August 24, 2018.

Natural Resource Conservation Service (NRCS). 2018. Web Soil Survey. Available at: <https://websoilsurvey.nrcs.usda.gov/app/WebSoilSurvey.aspx>. Accessed on: August 24, 2018.

	Potentially Significant Impact	Less Than Significant with Mitigation Incorporated	Less Than Significant Impact	No Impact
--	--------------------------------------	--	------------------------------------	-----------

**III. AIR QUALITY**

Where available, the significance criteria established by the applicable air quality management district or air pollution control district may be relied upon to make the following determinations. Would the project:

(a) Conflict with or obstruct implementation of the applicable air quality plan?	<input type="checkbox"/>	<input type="checkbox"/>	<input checked="" type="checkbox"/>	<input type="checkbox"/>
(b) Result in a cumulatively considerable net increase of any criteria pollutant for which the project region is non-attainment under an applicable federal or state ambient air quality standard?	<input type="checkbox"/>	<input type="checkbox"/>	<input checked="" type="checkbox"/>	<input type="checkbox"/>
(c) Expose sensitive receptors to substantial pollutant concentrations?	<input type="checkbox"/>	<input checked="" type="checkbox"/>	<input type="checkbox"/>	<input type="checkbox"/>
(d) Result in other emissions (such as those leading to odors) adversely affecting a substantial number of people?	<input type="checkbox"/>	<input type="checkbox"/>	<input checked="" type="checkbox"/>	<input type="checkbox"/>

**Setting**

The project is located in the coastal plateau area of San Luis Obispo County and within the South Central Coast Air Basin (SCCAB). The SCCAB is under the jurisdiction of the San Luis Obispo County Air Pollution Control District (SLOAPCD). The SLOAPCD has developed and updated their *CEQA Air Quality Handbook (2012)* to evaluate project specific impacts and help determine if air quality mitigation measures are needed, or if potentially significant impacts could result. To evaluate long-term emissions, cumulative effects, and establish countywide programs to reach acceptable air quality levels, a Clean Air Plan has been adopted (prepared by the SLOAPCD). From a geographical and meteorological standpoint,

the County can be divided into three general regions: the Coastal Plateau, the Upper Salinas River Valley, and the East County Plain. Air quality in each of these regions is characteristically different, although the physical features which divide them provide only limited barriers to transport of pollutants between regions. In general, a majority of San Luis Obispo County typically experiences low levels of ozone pollution, with infrequent exceedances of state and federal ozone and particulate matter standards. However, parts of the Nipomo area exceed the state standard for particulate matter under 10 microns (PM<sub>10</sub>) roughly 60 to 95 times each year, and the Red Hills air monitoring station in the eastern part of the county typically exceeds the federal ozone standards in the summer and fall.

The state and national attainment status designations pertaining to San Luis Obispo County are summarized in Table 1. The County is currently designated as a nonattainment area with respect to the state ozone and PM<sub>10</sub> standards. In addition, the eastern portion of the County is designated nonattainment for the national ozone standards. The county is designated attainment or unclassified for the remaining state and national standards.

**Table 1. Summary of Ambient Air Quality Standards and Attainment Designations**

Pollutant	Averaging Time	California Standards <sup>1</sup>		National Standards <sup>1</sup>	
		Concentration	Attainment Status	Primary	Attainment Status
Ozone (O <sub>3</sub> )	1-hour	0.09 ppm (180 µg/m <sup>3</sup> )	Non- Attainment	--	Non-Attainment Eastern San Luis Obispo County
	8-hour	0.070 ppm (137 µg/m <sup>3</sup> )		0.070 ppm (137 µg/m <sup>3</sup> )	
Respirable Particle Matter (PM <sub>10</sub> )	24-hour	50 µg/m <sup>3</sup>	Non- Attainment	150 µg/m <sup>3</sup>	Unclassified/ Attainment
	AAM	20 µg/m <sup>3</sup>		--	
Fine Particulate Matter (PM <sub>2.5</sub> )	24-hour	No State Standard	Attainment	35 µg/m <sup>3</sup>	Unclassified/ Attainment
	AAM	12 µg/m <sup>3</sup>		12 µg/m <sup>3</sup>	
Carbon Monoxide (CO)	8-hour	9 ppm (10 mg/m <sup>3</sup> )	Attainment	9 ppm	Unclassified
	1-hour	20 ppm (10 mg/m <sup>3</sup> )		35 ppm (40 mg/m <sup>3</sup> )	
Nitrogen Dioxide (NO <sub>2</sub> )	AAM	0.030 ppm (57 µg/m <sup>3</sup> )	Attainment	0.053 ppm (100 µg/m <sup>3</sup> )	Unclassified
	1-hour	0.18 ppm (330 µg/m <sup>3</sup> )		100 ppm (196 µg/m <sup>3</sup> )	
Sulfur Dioxide (SO <sub>2</sub> )	AAM	--	Attainment	0.030 ppm (80 µg/m <sup>3</sup> )	Unclassified
	24-hour	0.04 ppm (105 µg/m <sup>3</sup> )		0.14 ppm (365 µg/m <sup>3</sup> )	
	3-hour	--		0.5 ppm (1300 µg/m <sup>3</sup> )	
	1-hour	0.25 ppm (655 µg/m <sup>3</sup> )		75 ppb (196 mg/m <sup>3</sup> )	
Lead	30-day Average	1.5 µg/m <sup>3</sup>	Attainment	--	No Attainment Information



Pollutant	Averaging Time	California Standards <sup>1</sup>		National Standards <sup>1</sup>	
		Concentration	Attainment Status	Primary	Attainment Status
	Calendar Quarter	–		1.5 µg/m <sup>3</sup>	
	Rolling 3-Month Average	–		0.15 µg/m <sup>3</sup>	
Visibility-Reducing Particle Matter	8-hour	Extinction coefficient: 0.23/kilometer-visibility of 10 miles or more.	Attainment		
Sulfates	24-hour	25 µg/m <sup>3</sup>	Attainment		No Federal Standards
Hydrogen Sulfide	1-hour	0.03 ppm (42 µg/m <sup>3</sup> )	Attainment		
Vinyl Chloride	24-hour	0.01 ppm (26 µg/m <sup>3</sup> )	No Attainment Information		

Notes:

µg/m<sup>3</sup> = micrograms per cubic meter, pp, = parts per million, AAM = Annual Arithmetic Mean

1. Daily and quarterly emission thresholds are based on the California Health and Safety Code and the CARB Carl Moyer Guidelines.

2. Any project with a grading area greater than 4.0 acres of worked area can exceed the 2.5-ton PM<sub>10</sub> quarterly threshold.

Source: SLOAPCD 2018.

### Sensitive Receptors

One of the most important reasons for air quality standards is the protection of those members of the population who are most sensitive to the adverse health effects of air pollution, termed "sensitive receptors." The term sensitive receptors refer to specific population groups, as well as the land uses where individuals would reside for long periods. Commonly identified sensitive population groups are children, the elderly, the acutely ill, and the chronically ill. Commonly identified sensitive land uses would include facilities that house or attract children, the elderly, people with illnesses, or others who are especially sensitive to the effects of air pollutants. Residential dwellings, schools, parks, playgrounds, childcare centers, convalescent homes, and hospitals are examples of sensitive land uses. Sensitive land uses and receptors in proximity to the interconnection facilities are listed in Table 2, below.

**Table 2. Nearby Land Uses and Sensitive Receptors**

Land Use	Distance (miles)	Location
<b>Residences</b>		
Residences	< 0.1 mile	All 3 facilities
<b>Schools</b>		
Treasure from Heaven Day Care	0.40	North (GSWC Facility)
Dana Elementary School	1.0	Northwest (GSWC Facility)
Little Bits Preschool	1.0	Northwest (GSWC Facility)
<b>Churches</b>		
House of Prayer Church of God	0.70	Northeast

Land Use	Distance (miles)	Location
in Christ City Church		(GSWC Facility)
First Baptist Church of Nipomo	1.0	Northwest (GSWC Facility)
New Beginnings Community Church	1.0	Northwest (GSWC Facility)
Five Cities Vineyard Church	0.30	Northwest (GSWC-CR Facility)
<b>Hospitals</b>		
Community Health Center	1.0	Northwest (GSWC Facility)
<b>Libraries</b>		
Nipomo Library	1.0	Northwest (GSWC Facility)
<b>Parks/Recreation</b>		
Monarch Dunes Golf Club	0.10	East (WMWC Facility)

### SLOAPCD Thresholds

The SLOAPCD thresholds for determining the significance of impacts for total emissions expected from a project's construction activities are provided in Table 3, below. The SLOAPCD has discretion to require mitigation for projects that would not exceed the mitigation thresholds if those projects would result in special impacts, such as the release of diesel particulate matter (DPM) emissions or asbestos near sensitive receptors.

**Table 1. SLOAPCD Thresholds of Significance for Construction Operations Emissions**

Pollutant	Threshold <sup>1</sup>		
	Daily	Quarterly Tier 1	Quarterly Tier 2
ROG + NOx (combined)	137 lbs	2.5 tons	6.3 tons
Diesel Particulate Matter (DPM)	7 lbs	0.13 tons	0.32 tons
Fugitive Particulate Matter (PM <sub>10</sub> ), Dust <sup>2</sup>	--	2.5 tons	--

Notes:

ROG = reactive organic gases, NOx = nitrogen oxides

1. Daily and quarterly emission thresholds are based on the California Health and Safety Code and the CARB Carl Moyer Guidelines.

2. Any project with a grading area greater than 4.0 acres of worked area can exceed the 2.5 ton PM<sub>10</sub> quarterly threshold.

Source: SLOAPCD 2012.

### Discussion

**(a) Conflict with or obstruct implementation of the APCD Clean Air Plan?**

**Less than Significant Impact.** As part of the California Clean Air Act, the SLOAPCD is required to develop a plan to achieve and maintain the state ozone standard by the earliest practicable date. The SLOAPCD's 2001 Clean Air Plan (CAP) addresses the attainment and

maintenance of state and federal ambient air quality standards. The CAP was adopted by the SLOAPCD on March 26, 2002.

The CAP outlines the SLOAPCD's strategies to reduce ozone-precursor pollutants (i.e., reactive organic gases [ROG] and nitrogen oxides [NO<sub>x</sub>]) from a wide variety of sources. The CAP includes a stationary-source control program, which includes control measures for permitted stationary sources, as well as transportation and land use management strategies to reduce motor vehicle emissions and use. The stationary-source control program is administered by the SLOAPCD. Transportation and land use control measures are implemented at the local or regional level by promoting and facilitating the use of alternative transportation options, increased pedestrian access and accessibility to community services and local destinations, reductions in vehicle miles traveled (VMT), and promotion of congestion management efforts. In addition, local jurisdictions also prepare population forecasts, which are used by SLOAPCD to forecast population-related emissions and air quality attainment, including those contained in the CAP.

The proposed project would include the underground installation of vaults and adjacent waterline connections, associated aboveground infrastructure within existing County right-of-way or on the Woodlands parcel, and a new access road and would not alter or create a new use in the project area. The project would provide supplemental water as part of the NSWP and would not result in an increase in population or employment and would not generate a significant increase in vehicle trips. The proposed project would not contribute to the generation of significant levels of any air contaminants and would not conflict or obstruct the implementation of the SLOAPCD's Clean Air Plan or other applicable regional and local planning documents. Impacts would be less than significant, and no mitigation is necessary.

- (b) *Result in a cumulatively considerable net increase of any criteria pollutant for which the project region is non-attainment under an applicable federal or state ambient air quality standard?*

**Less than Significant Impact.** As discussed above, the County is currently designated as non-attainment for ozone and PM<sub>10</sub> and the project vicinity (Nipomo) experiences the highest number of PM<sub>10</sub> exceedances in the County. Construction related emissions would be short-term (approximately 4 months for all three sites) and limited in nature (three underground interconnection facilities and associated piping and infrastructure). The construction contractor would ultimately be responsible for the construction schedule, but it is anticipated that construction activities would be sequential in nature and likely to last approximately 30 to 45 days of work at each of the three project sites, with some activities overlapping at each site.

Construction activities that typically result in short-term emissions may include, but are not limited to, demolition and removal of existing facilities, site grading and excavation, vegetation and tree removal, road paving, motor vehicle exhaust associated with construction equipment and worker trips, and the movement of construction equipment, especially on unpaved surfaces. Emissions of airborne PM are largely dependent on the amount of ground disturbance associated with site preparation activities. The project proposes minimal grading and cut-and-fill activities for each facility. The GSWC and GSWC-CR facilities would each remove approximately 10 cubic yards of cut material and result in approximately 500 square feet of ground disturbance. The WMWC Facility would remove approximately 35 cubic yards of cut material and result in 900 square feet of ground disturbance, which includes improvements associated with the access road. Based on estimated cut and fill estimates and SLOAPCD screening emission rates for construction activities, estimated construction-related emissions that would result from the project were calculated and are shown in Table 4 below.

**Table 4. Proposed Project Estimated Construction Emissions.**

Pollutant	Total Estimated Emissions	SLOAPCD Threshold		Threshold Exceeded?
		Daily	Quarterly (Tier 1)	
ROG + NO <sub>x</sub> (combined)	6.25 lbs	137 pounds	2.5 tons	No
Diesel Particulate Matter (DPM)	0.27 lbs	7 pounds	0.13 tons	No
Fugitive Particulate Matter (PM <sub>10</sub> )	0.03 tons		2.5 tons	No

Source: SLOAPCD CEQA Air Quality Handbook Tables 2-1 and 2-2.

Based on estimated construction emissions identified in Table 4, the project would not result in the emission of criteria pollutants that would exceed daily or quarterly construction-related thresholds established by the SLOAPCD. All construction vehicles and equipment would be required to be equipped with the State-mandated emission control devices pursuant to State emission regulations and standard construction practices. After construction is complete, all construction-related impacts would cease.

Based on the proposed use to operate three new interconnection facilities to connect the NCSD pipelines to the GSWC and WMWC pipelines and allow for the delivery of water to GSWC and WMWC from the NCSD, operational emissions associated with routine maintenance of the facilities would be limited to occasional vehicle trips for maintenance operations therefore would be negligible. Based on the size of the proposed facilities (three interconnection facilities approximately 128 sf each, totaling approximately 384-sf of water distribution facilities) and SLOAPCD's screening criteria for project air quality analysis (SLOAPCD CEQA Air Quality Handbook Table 1-1), the project would not exceed SLOAPCD thresholds for GHGs or ozone. Although the land uses identified in SLOAPCD CEQA Air Quality Handbook Table 1-1 do not include public facilities such as the proposed project, the size of the proposed facilities falls below the thresholds identified for every industrial, commercial, and recreational use.

Due to the short duration of the proposed ground disturbance (approximately 4 months), limited nature of the proposed earthwork (three underground interconnection facilities and associated piping and infrastructure requiring approximately 1,900 sf of disturbance), and negligible long-term air emissions, the project would result in potential air quality emissions well below any state or federal significance criteria. Therefore, impacts related to cumulatively considerable net increase of any criteria pollutant would be less than significant.

(c) *Expose sensitive receptors to substantial pollutant concentrations?*

**Less than Significant Impact with Mitigation.** The closest sensitive receptors to any of the new facilities would be nearby single-family residences. The GSWC Facility would be located approximately 50 feet northwest of the nearest residence, and the GSWC-CR and WMWC Facilities would be located within 1,000 feet of nearby rural residences. Additional sensitive receptors in the project vicinity have been identified in Table 2. The project would result in temporary increases in air emissions, including emissions of fugitive dust (PM<sub>10</sub>) and diesel-exhaust PM, during project construction associated with excavation, trenching, soil removal, access development, and asphalt replacement. These pollutants are known to be hazardous to health, particularly when emitted in close proximity to a sensitive receptor; therefore, due to the proximity to several sensitive receptors near the new interconnection facilities, this impact is considered potentially significant. Although the project would not exceed any construction or operational thresholds for air emissions, standard dust control and DPM mitigation measures are required by the SLOAPCD CEQA Air Quality Handbook (SLOAPCD 2012) for projects located within 1,000 feet of sensitive receptors. Measures AIR-1 and AIR-2 require implementation of standard dust control measures, monitoring, and equipment practices. Given that project construction emissions were determined to be well below APCD construction emissions thresholds (Table 4), these standard measures would be sufficient in reducing potential impacts to nearby sensitive receptors to a less-than-significant level. Therefore, implementation of **Mitigation Measures AIR-1 and AIR-2** would reduce potentially significant impacts to less than significant.

- (d) *Result in other emissions (such as those leading to odors) adversely affecting a substantial number of people?*

**Less than Significant Impact.** Construction could generate odors from heavy diesel machinery and materials used for excavation and asphalt replacement. The generation of odors during the construction period would be temporary, would be consistent with odors commonly associated with roadway construction, and would dissipate within a short distance from the active work area. No significant long-term operational emissions would be generated by the project. Therefore, potential impacts related to emissions or odors that could adversely affect a substantial number of people would be less than significant. No mitigation is necessary.

### **Conclusion**

The proposed project would not exceed applicable SLOAPCD thresholds for construction and operational emissions and would implement standard SLOAPCD mitigation measures for dust and DPM suppression during construction activities within 1,000 feet of sensitive receptors. With incorporation of the mitigation detailed below, the project would result in less than significant impacts on Air Quality.

### **Mitigation Measures**

- AIR-1** Upon application for encroachment permits, all required PM<sub>10</sub> measures shall be shown on applicable grading or construction plans and made applicable during grading and construction activities as described below.
- a. Reduce the amount of the disturbed area where possible;
  - b. Use of water trucks or sprinkler systems in sufficient quantities to prevent airborne dust from leaving the site and from exceeding the San Luis Obispo County Air Pollution Control District's limit of 20% opacity for greater than 3 minutes in any 60-minute period shall be implemented. Increased watering frequency shall be required whenever wind speeds exceed 15 miles per hour. Reclaimed (non-potable) water shall be used whenever possible;
  - c. All dirt stockpile areas shall be sprayed daily or covered with tarps or other dust barriers, as needed;
  - d. Permanent dust control measures identified in the approved project revegetation plans shall be implemented as soon as possible following completion of any soil-disturbing activities;
  - e. Exposed ground areas that are planned to be reworked at dates greater than 1 month after initial grading shall be sown with a fast germinating, non-invasive grass seed and watered until vegetation is established;
  - f. All disturbed soil areas not subject to revegetation shall be stabilized using approved chemical soil binders, jute netting, or other methods approved in advance by the San Luis Obispo County Air Pollution Control District;
  - g. All roadways, driveways, sidewalks, etc. to be paved shall be completed as soon as possible. In addition, building pads should be laid as soon as possible after grading unless seeding or soil binders are used;



- h. Vehicle speed for all construction vehicles shall not exceed 15 miles per hour on any unpaved surface at the construction site;
- i. All trucks hauling dirt, sand, soil, or other loose materials shall be covered or shall maintain at least 2 feet of freeboard (minimum vertical distance between top of load and top of trailer) in accordance with California Vehicle Code Section 23114;
- j. To the extent feasible, installation of wheel washers or other devices to control tracking of mud and dirt onto adjacent roadways where vehicles enter and exit unpaved roads onto streets shall be implemented, or trucks and equipment shall be washed prior to leaving the site;
- k. Streets shall be swept at the end of each day if visible soil material is carried onto adjacent paved roads. Water sweepers with reclaimed water shall be used where feasible. Roads shall be pre-wetted prior to sweeping when feasible;
- l. The contractor or builder shall designate a person or persons to monitor the fugitive dust emissions and enhance the implementation of the measures as necessary to minimize dust complaints, reduce visible emissions below the San Luis Obispo County Air Pollution Control District's limit of 20% opacity for greater than 3 minutes in any 60-minute period, and to prevent transport of dust off-site. Their duties shall include holidays and weekend periods when work may not be in progress. The name and telephone number of such persons shall be provided to the San Luis Obispo County Air Pollution Control District Engineering & Compliance Division prior to the start of any grading, earthwork, or demolition.

**AIR-2**

Prior to issuance of encroachment permits, the following measures shall be incorporated into the construction phase of the project and shown on all applicable plans:

Construction Equipment

- a. Maintain all construction equipment in proper tune according to manufacturer's specifications;
- b. Fuel all off-road and portable diesel-powered equipment with California Air Resources Board-certified motor vehicle diesel fuel (non-taxed version suitable for use off-road);
- c. Use diesel construction equipment meeting the California Air Resources Board's Tier 2 certified engines or cleaner off-road heavy-duty diesel engines, and comply with the State Off-Road Regulation;
- d. Use on-road heavy-duty trucks that meet the California Air Resources Board's 2007 or cleaner certification standard for on-road heavy-duty diesel engines, and comply with the State On-Road Regulation;
- e. Construction or trucking companies with fleets that do not have engines in their fleet that meet the engine standards identified in the above two measures (e.g., captive or oxides of nitrogen exempt area fleets) may be eligible by proving alternative compliance;

- f. All on- and off-road diesel equipment shall not idle for more than 5 minutes. Signs shall be posted in the designated queuing areas and or job sites to remind drivers and operators of the 5-minute idling limit;
- g. Diesel idling shall be avoided to the greatest extent feasible throughout the duration of construction activities. No idling in excess of 5 minutes shall be permitted as described above;
- h. Staging and queuing areas shall not be located within 1,000 feet of sensitive receptors whenever possible;
- i. Electrify equipment when feasible;
- j. Substitute gasoline-powered in place of diesel-powered equipment, where feasible; and,
- k. Use alternatively fueled construction equipment on-site where feasible, such as compressed natural gas (CNG), liquefied natural gas (LNG), propane, or biodiesel.

**Sources**

San Luis Obispo County Air Pollution District (SLOAPCD). 2012. CEQA Air Quality Handbook.

San Luis Obispo County Air Pollution District (SLOAPCD). 2017. Clarification Memorandum for the CEQA Air Quality Handbook.

	<b>Potentially Significant Impact</b>	<b>Less Than Significant with Mitigation Incorporated</b>	<b>Less Than Significant Impact</b>	<b>No Impact</b>
--	---------------------------------------	---	-------------------------------------	------------------

**IV. BIOLOGICAL RESOURCES**

Would the project:

(a) Have a substantial adverse effect, either directly or through habitat modifications, on any species identified as a candidate, sensitive, or special status species in local or regional plans, policies, or regulations, or by the California Department of Fish and Game or U.S. Fish and Wildlife Service?	<input type="checkbox"/>	<input checked="" type="checkbox"/>	<input type="checkbox"/>	<input type="checkbox"/>
(b) Have a substantial adverse effect on any riparian habitat or other sensitive natural community identified in local or regional plans, policies, regulations or by the California Department of Fish and Game or US Fish and Wildlife Service?	<input type="checkbox"/>	<input type="checkbox"/>	<input type="checkbox"/>	<input checked="" type="checkbox"/>

	Potentially Significant Impact	Less Than Significant with Mitigation Incorporated	Less Than Significant Impact	No Impact
(c) Have a substantial adverse effect on state or federally protected wetlands (including, but not limited to, marsh, vernal pool, coastal, etc.) through direct removal, filling, hydrological interruption, or other means?	<input type="checkbox"/>	<input type="checkbox"/>	<input type="checkbox"/>	<input checked="" type="checkbox"/>
(d) Interfere substantially with the movement of any native resident or migratory fish or wildlife species or with established native resident or migratory wildlife corridors, or impede the use of native wildlife nursery sites?	<input type="checkbox"/>	<input type="checkbox"/>	<input type="checkbox"/>	<input checked="" type="checkbox"/>
(e) Conflict with any local policies or ordinances protecting biological resources, such as a tree preservation policy or ordinance?	<input type="checkbox"/>	<input type="checkbox"/>	<input checked="" type="checkbox"/>	<input type="checkbox"/>
(f) Conflict with the provisions of an adopted Habitat Conservation Plan, Natural Community Conservation Plan, or other approved local, regional, or state habitat conservation plan?	<input type="checkbox"/>	<input type="checkbox"/>	<input type="checkbox"/>	<input checked="" type="checkbox"/>

### Setting

The NCS D proposes to construct and operate three new underground interconnection facilities within the Nipomo Mesa to provide supplemental water to its purveyor partners as part of the NSWP. Each facility and its associated piping would be installed approximately 5 feet below grade and require minimal aboveground infrastructure. The following information is based on a field survey and literature review performed by SWCA Environmental Consultants (SWCA).

The GSWC Facility would be located near an asphalt road within the County’s right-of-way in an area surrounded by disturbed roadside ruderal habitat. The roadside ruderal habitat is comprised primarily of non-native plant species such as veldt grass (*Ehrharta calycina*), slender oats (*Avena barbata*), and stork bill filaree (*Erodium botrys*). Few native annual herbs are present in the ruderal vegetation including California poppy (*Eschscholzia californica*) and telegraph weed (*Heterotheca grandiflora*).

The GSWC-CR Facility would be located near an asphalt road within the County’s right-of-way in an area surrounded by highly disturbed roadside ruderal habitat. The roadside ruderal habitat is comprised primarily of a dense cover of non-native plant species such as ice plant (*Carpobrotus chilensis*), veldt grass and stork bill filaree. Few native annual herbs are present in the ruderal vegetation including horseweed (*Erigeron canadensis*) and croton (*Croton californica*). A blue gum eucalyptus tree (*Eucalyptus globus*) is located approximately 50 feet to the east of the proposed facility.

The WMWC Facility would be located on the Woodlands parcel and is surrounded by landscaping vegetation and blue gum eucalyptus trees. The ground under the eucalyptus trees is cleared and maintained for a walking path. Species within the project area include rosemary (*Rosemarinus officinalis*), toyon (*Heteromeles arbutifolia*), and a variety of ornamental subshrubs and annuals planted by Woodlands during development of the subdivision.

## **Regulatory Framework**

### ***Federal Regulations***

Federal Endangered Species Act of 1973. The federal Endangered Species Act (FESA) provides legislation to protect federally listed plant and animal species and requires that the responsible agency or individual consult with the U.S. Fish and Wildlife Service (USFWS) to determine the extent of impact to a particular species. If USFWS determines that impacts to a species would likely occur, alternatives and measures to avoid or reduce impacts must be identified. The USFWS also regulates activities conducted in federal critical habitat, which are geographic units designated as areas that support physical or biological features that are necessary for a listed species survival and recovery.

The Migratory Bird Treaty Act (MBTA) protects all migratory birds, including their eggs, nests, and feathers. The MBTA was originally drafted to put an end to the commercial trade of bird feathers, popular in the latter part of the 1800s. The MBTA is enforced by USFWS, and potential impacts to species protected under the MBTA are evaluated by USFWS in consultation with other federal agencies. On April 11, 2018, the USFWS issued guidance on the recent M-Opinion affecting MBTA implementation. The M-Opinion concludes that the take of birds resulting from an activity is not prohibited by the MBTA when the underlying purpose of that activity is not to take birds. The USFWS interprets the M-Opinion to mean the MBTA prohibitions on take apply when the purpose of the action is to take migratory birds, their eggs, or their nests. Working with other federal agencies on migratory bird conservation is an integral mission of the USFWS; therefore, the USFWS maintains that potential impacts to migratory birds resulting from federal actions should be addressed under NEPA.

Section 404 of the Clean Water Act of 1997. The U.S. Army Corps of Engineers (USACE) regulates discharges of dredged or fill material into “waters of the U.S.” These waters include wetland and non-wetland water bodies that meet specific criteria. Under Section 404 of the Clean Water Act (CWA), USACE regulates traditional navigable waters, wetlands adjacent to traditional navigable waters, relatively permanent non-navigable tributaries that have a continuous flow at least seasonally (typically three months), and wetlands that directly abut relatively permanent tributaries. The USACE determines its jurisdiction over non-navigable, non-relatively permanent waters (non-RPW), wetlands adjacent to tributaries of non-RPW, and wetlands not directly abutting non-navigable but relatively permanent waters after making a significant nexus finding.

Section 401 of the Clean Water Act of 1997 and its provisions ensure that federally permitted activities comply with the federal CWA and state water quality laws. Section 401 is implemented through a review process that is conducted by the Regional Water Quality Control Board (RWQCB), and is triggered by the Section 404 permitting process.

### ***State Regulations***

The California Endangered Species Act of 1970 (CESA) ensures legal protection for plants listed as rare or endangered, and species of wildlife formally listed as endangered or threatened by the State of California. The state law also identifies California Species of Special Concern (SSC) based on limited distribution, declining populations, diminishing habitat, or unusual scientific, recreational, or educational value. Under state law, the California Department of Fish and Wildlife (CDFW) is empowered to review projects for their potential to impact state listed species and SSC species, and their habitats.

California Fish and Game Code (FGC) Section 3503 – Protections of Bird’s Nests includes provisions to protect the nests and eggs of birds. Section 3503 states: “It is unlawful to take, possess, or needlessly destroy the nest or eggs of any bird, except as otherwise provided by this code or any regulation made pursuant thereto.”

Per FGC Section 2835, in absence of a CDFW-approved Natural Community Conservation Plan, the CDFW cannot authorize take of a Fully Protected species. FGC Section 3511 (birds), Section 4700 (mammals), Section 5050 (reptiles and amphibians), and Section 5515 (fish) include provisions to protect Fully Protected species, such as: 1) prohibiting take or possession “at any time” of the species listed in the statute, with few exceptions; 2) stating that “no provision of this code or any other law shall be construed to authorize the issuance of permits or licenses to “take” a species that has been designated as Fully Protected; and 3) stating that no previously issued permits or licenses for take of these species “shall have any force or effect” for authorizing take or possession. CDFW is unable to authorize incidental take of Fully Protected species when activities are proposed in areas inhabited by those species.

The CDFW also manages the California Native Plant Protection Act of 1977 (NPPA) (FGC Sections 1900 et seq.), which was enacted to identify, designate, and protect rare plants. In accordance with CDFW guidelines, plant species with California Native Plant Society (CNPS) Ranks 1A, 1B, 2A, 2B, and 3 are considered “rare” under the NPPA. Impacts to plants with these rarity rankings must be fully evaluated under the California Environmental Quality Act (CEQA). Plants with CNPS Rank 4 have limited distributions but are not necessarily eligible for listing. It is recommended that impacts to plants with CNPS Rank 4 also be evaluated per CEQA.

Pursuant to Division 2, Chapter 6, Sections 1600–1602 of the FGC, the CDFW regulates all diversions, obstructions, or changes to the natural flow or bed, channel, or bank of any river, stream, or lake, which supports fish or wildlife. The CDFW defines a “stream” (including creeks and rivers) as “a body of water that flows at least periodically or intermittently through a bed or channel having banks and supports fish or other aquatic life. This includes watercourses having surface or subsurface flow that supports or has supported riparian vegetation.” The CDFW’s definition of “lake” includes “natural lakes or man-made reservoirs.” The CDFW jurisdiction within altered or artificial waterways is based upon the value of those waterways to fish and wildlife.

## **Methods**

SWCA) performed a literature review to assess which species have known occurrences in the project vicinity. The review was initiated with a query of the most recent version of the CDFW California Natural Diversity Database (CNDDDB) and the USFWS Information Planning and Consultation (IPaC) website to identify reported occurrences of sensitive resources within the project area and in the Oceano and Nipomo Geological Survey 7.5-Minute Quadrangle maps. In addition to the CNDDDB query, the CNPS Electronic Inventory of Rare and Endangered Plants of California (2018) was reviewed to provide additional information on rare plants that are known to occur in the area. SWCA has extensive experience with natural resources in the Nipomo area; the literature review for this Initial Study included existing environmental documents and reports prepared by SWCA.

Following the literature review, SWCA biologist Ben Wagner conducted a field survey at each of the three facilities on July 13, 2018. The Protocols for Surveying and Evaluating Impacts to Special Status Native Plant Populations and Sensitive Natural Communities (CDFW 2018a) require that botanical field surveys are conducted in a manner which maximizes the likelihood of locating special-status plants and sensitive natural communities that may be present within each of the facility's project area. The field surveys were sufficient to: (1) characterize the existing conditions on the site; (2) determine the presence or absence of spring blooming sensitive plant species; (3) evaluate the site's potential to support other sensitive wildlife species; and (4) identify those biological resources that could be impacted by the proposed project.

During the survey, SWCA inventoried the botanical resources observed on the site using dichotomous keys as necessary (Baldwin et al. 2012). The surveys were scheduled to correlate with the blooming period for those rare plant species with potential to occur in the survey area. Wildlife species were documented based on visual observation, auditory cues (i.e., calls and songs), and indirect signs (e.g., tracks, scat, skeletal remains, burrows, etc.).

## **Results**

For the purposes of this section, special-status plant species are defined as the following:

- Plants listed or proposed for listing as threatened or endangered under the Federal Endangered Species Act (FESA; Code of Federal Regulations [CFR] Title 50, Section 17.12 for listed plants and various notices in the Federal Register for proposed species).
- Plants that are candidates for possible future listing as threatened or endangered under the FESA.
- Plants that meet the definitions of rare or endangered species under the California Environmental Quality Act (CEQA; State CEQA Guidelines Section 15380).
- Plants considered by CNPS to be "rare, threatened, or endangered" in California (CNPS Ranks 1, 2, and 3).
- Plants listed by CNPS as plants about which we need more information and plants of limited distribution (CNPS Rank 4).
- Plants listed or proposed for listing by the State of California as threatened or endangered under the California Endangered Species Act (CESA; California Code of Regulations [CCR] Title 14, Section 670.5).
- Plants listed under the California Native Plant Protection Act (California Fish and Game Code Section 1900 et seq.).



- Plants considered sensitive by other Federal agencies (i.e., U.S. Forest Service, Bureau of Land Management), state and local agencies, or jurisdictions.

Based on the literature review for this project, a total of 31 special-status plant species have been documented in the queried quadrangles. Because the plant list is regional, SWCA evaluated the species to identify which special-status plant species have the potential to occur in each facilities' project area. SWCA compared the known habitat requirements of those 31 species to the survey area's existing conditions, elevation, and soils. The analysis determined that the roadside portions of the project areas support suitable conditions for the following plant species:

- Pismo clarkia (*Clarkia speciosa* ssp. *immaculata*): Pismo clarkia has a documented occurrence from 2006, located near the GSWC-CR Facility survey area (occurrence ID 103705) on the north side of Lyn Rd between Stanton Road and Camino Perillo Road and two additional occurrences within 0.5 miles of the GSWC-CR Facility. Pismo clarkia was not observed within the GSWC-CR Facility survey area during the survey conducted on July 13, 2018. To ensure that the local population was within the appropriate blooming season during the survey, on July 12, 2018, Mr. Wagner observed Pismo clarkia flowering at a known reference site at 615 West Ormonde Road, San Luis Obispo, California.
- Mesa horkelia (*Horkelia cuneata* ssp. *puberula*): Mesa horkelia was not observed in any of the survey areas during the survey, which was conducted in the appropriate season.
- Kellogg's horkelia (*Horkelia cuneata* ssp. *sericea*): Kellogg's horkelia was not observed in any of the survey areas during the survey, which was conducted in the appropriate season.
- Southern curly-leaved monardella (*Monardella sinuata* ssp. *sinuata*): southern curly-leaved monardella was not observed in any of the survey areas during the survey, which was conducted in the appropriate season.

For the purposes of this section, special-status animal species are defined as the following:

- Animals listed or proposed for listing as threatened or endangered under the FESA (50 CFR 17.11 for listed animals and various notices in the Federal Register for proposed species).
- Animals that are candidates for possible future listing as threatened or endangered under the FESA.
- Animals that meet the definitions of rare or endangered species under CEQA (State CEQA Guidelines Section 15380).
- Animals listed or proposed for listing by the State of California as threatened and endangered under the CESA (14 CCR 670.5).
- Animal species of special concern to CDFW.
- Animal species that are fully protected in California (California Fish and Game Code, Sections 3511 [birds], 4700 [mammals], and 5050 [reptiles and amphibians]).

Based on a CNDDDB query and a review of existing literature, a total of 28 special-status wildlife species have been documented as occurring in the queried quadrangles. Because this list of species is considered regional, an analysis of the range and habitat preferences of those animal species was conducted to

identify which sensitive wildlife species have the potential to occur within the survey area. SWCA determined that silvery legless lizard (*Anniella pulchra pulchra*), monarch butterfly (*Danaus plexippus*), and migratory birds have potential to occur within one or more of the project areas.

Silvery legless lizard is not listed as federally or state endangered or threatened; however, it is a CDFW-designated species of special concern. Although silvery legless lizards have potential to occur in all three of the project areas, CNDDDB does not document any occurrences in or near any of the project areas, nor were silvery legless lizards observed in any of the project areas during the survey. Monarch butterfly is a candidate for protection under the FESA and is listed as a US Forest Service Sensitive Species. It is known to occur in the WMWC Facility project area, and there is a known overwintering site approximately 0.5 mile from the proposed WMWC Facility. Suitable habitat for migratory nesting birds is present within the WMWC Facility survey area; however, migratory birds were not observed nesting within the WMWC Facility survey area during the survey.

### **Discussion**

- (a) *Have a substantial adverse effect, either directly or through habitat modifications, on any species identified as a candidate, sensitive, or special status species in local or regional plans, policies, or regulations, or by the California Department of Fish and Game or U.S. Fish and Wildlife Service?*

**Less than Significant Impact with Mitigation.** Silvery legless lizard is relatively common in areas of Nipomo that contain sandy soil. Silvery legless lizard is a fossorial species. Fossorial species spend most of their lives underground; therefore, they are difficult to detect without shallow excavation of the soil surface. Although silvery lizards were not observed in any of the survey areas during the surveys, the presence of silvery legless lizard in the vegetated portions of the survey areas cannot be ruled out. Vehicle disturbance of the roadside vegetation could result in the direct take of silvery legless lizards. Direct take may include being struck by equipment, entrapped in stockpiled materials, or trampled by construction personnel. **Mitigation Measure BIO-1** is included to minimize impacts to silvery legless lizards during project implementation.

The WMWC Facility is approximately 0.5 mile from a known overwintering site for monarch butterfly, a candidate species for protection under the FESA and listed as a US Forest Service Sensitive Species. Monarch butterflies require specific microclimatic conditions to survive the winter and are sensitive to any habitat modifications to their overwintering sites. Monarch butterflies typically cluster in groves of trees including eucalyptus and Monterey pines. Eucalyptus were identified on the WMWC Facility project site and are proposed to be removed to accommodate installation of the interconnection facility. **Mitigation Measure BIO-2** has been included below to ensure that monarch butterflies will not be impacted during tree removal or other site disturbance activities.

The vegetation occurring near the WMWC Facility provides suitable nesting habitat for a variety of bird species. Common passerines may use the non-native ruderal and landscaping vegetation for nesting and/or foraging; raptors may use the area for foraging and nesting within the disturbance area. The passerine nesting habitat would be impacted by project activities including grading and vegetation removal. If the project activities are conducted between March and September, birds may be nesting in the affected area and the individuals could be directly impacted. Direct impacts could include loss of active nests during vegetation removal. **Mitigation Measure BIO-3** is included to avoid impacts to nesting birds during project construction.

- (b) *Have a substantial adverse effect on any riparian habitat or other sensitive natural community identified in local or regional plans, policies, regulations or by the California Department of Fish and Game or US Fish and Wildlife Service?*

**No Impact.** The project area for each facility does not contain riparian habitats or other sensitive natural communities. Implementation of the project would not result in the removal or disturbance of any sensitive natural community; therefore, no impacts to riparian habitat or sensitive natural communities would occur.

- (c) *Have a substantial adverse effect on state or federally protected wetlands (including, but not limited to, marsh, vernal pool, coastal, etc.) through direct removal, filling, hydrological interruption, or other means?*

**No Impact.** The three facilities within the project site is comprised of upland habitat dominated by non-native grasses and ruderal vegetation. According to USFWS National Wetland Inventory (NWI) Wetlands Mapper, there are no surface water or wetland resources within or adjacent to the project site in any of the three facility project areas (USFWS 2018b). The project would not have a substantial adverse effect on state or federally protected wetlands; therefore, no impact would occur.

- (d) *Interfere substantially with the movement of any native resident or migratory fish or wildlife species or with established native resident or migratory wildlife corridors, or impede the use of native wildlife nursery sites?*

**No Impact.** The project area does not support any surface water resources, migratory corridors, or nursery sites. The California Essential Habitat Connectivity Project was queried for Essential Habitat Connectivity, which are the best available data describing important areas for maintaining connectivity between large blocks of land for wildlife corridor purposes (CDFW 2018b). These important areas are referred to as Essential Connectivity Areas. Essential Connectivity Areas are only intended to be a broad-scale representation of areas that provide essential connectivity. The project site is not located within an Essential Connectivity Area. Implementation of the proposed project would not significantly restrict the movement of any native resident or migratory fish or wildlife species, or established native resident or migratory wildlife corridors, or the use of native wildlife nursery sites; therefore, no impacts would occur.

- (e) *Conflict with any local policies or ordinances protecting biological resources, such as a tree preservation policy or ordinance?*

**Less than significant.** The local ordinances pertinent to biological resources in the area are San Luis Obispo County Code: Title 22 Land Use Ordinance, Article 5 Standards for Development, Section 22.56 Tree Preservation and Section 22.58 Oak Woodland Ordinance, both of which restrict the removal of trees. The proposed project would remove 9 eucalyptus trees for the development of an access road near the WMWC Facility. Eucalyptus are non-native trees and are not protected under any of the policies described above. Additionally, Section 22.56.020 of the County's Land Use Ordinance exempts zoning clearance requirements and a tree removal permit for projects located within or adjacent to a public or public utility right-of-way, when such trees are to be removed by a public agency, public utility, or are to be removed under an encroachment permit issued by a public agency having jurisdiction. The WMWC Facility would be located on the Woodlands parcel on a NCSO easement, and tree removal would be performed by the NCSO or their contractor. Moreover, Government Code section 53091 exempts local agencies such as NCSO from the zoning and building ordinances of counties and cities, such as Title 22 of the County Code, when implementing projects involving "the location or construction of facilities for the production, generation, storage, treatment, or transmission of water." Therefore, there are no potential conflicts with local policies or ordinances protecting biological resources.

- (f) *Conflict with the provisions of an adopted Habitat Conservation Plan, Natural Community Conservation Plan, or other approved local, regional, or state habitat conservation plan?*

**No Impact.** Based on the records and literature research conducted for the project, the project does not overlap with any adopted Habitat Conservation Plan, Natural Community Conservation Plan, or other conservation plans. Therefore, the project would not conflict with any approved local, regional or state habitat conservation plans.

### **Conclusion**

The project related disturbances would be located near areas of existing asphalt, highly disturbed ruderal vegetation, actively maintained landscape vegetation and eucalyptus woodland. The proposed project would result in disturbances to ruderal and landscaping vegetation as well as the removal of eucalyptus trees to install water related infrastructure. The roadside vegetation throughout the alignment was surveyed for sensitive biological resources on July 13, 2018 and no sensitive or special-status biological resources were observed.

The roadside vegetation within portions of the survey areas have the potential to support silvery legless lizard, monarch butterflies and nesting birds. **Mitigation Measure BIO-1** has been included to minimize the potential impact to silvery legless lizards, **Mitigation Measure BIO-2** has been provided to avoid impacts to monarch butterflies, and **Mitigation Measure BIO-3** has been provided to avoid impacts to nesting birds.

### **Mitigation Measures**

- BIO-1** Within 30 days prior to and during disturbance to roadside vegetation, a qualified biologist shall conduct surveys for silvery legless lizards in the anticipated disturbance area for each of the proposed facilities. The biologist shall utilize hand search or cover board methods in areas of disturbance where legless lizards are expected to be found (e.g., under shrubs, other vegetation, or debris). If cover board methods are used, they shall commence at least 30 days prior to the start of construction. Hand search surveys should be completed immediately prior to and during disturbances to the vegetated areas. During vegetation disturbing activities, the qualified biologist shall walk behind the equipment to capture silvery legless lizards that are unearthed by the equipment. The biologist shall capture and relocate any legless lizards or other reptiles observed during the survey effort. The captured individuals shall be relocated from the construction area and placed in suitable habitat on the site but outside of the work area.
- BIO-2** Tree removal and site disturbance for the WMWC Facility shall be avoided during the monarch butterflies' fall and winter migration (late October through February) to the greatest extent feasible. If tree or vegetation removal or site disturbance is necessary during the monarch butterflies' fall and winter migration, a qualified biologist shall conduct a preconstruction survey for monarch butterflies that could utilize trees on the site for overwintering. If monarch butterflies are detected, development will be postponed until after the overwintering period or until a qualified biologist determines monarch butterflies are no longer utilizing the trees on site for overwintering.
- BIO-3** Prior to tree removal or any site preparation, ground-disturbance, and related construction activities for the WMWC Facility, a qualified biologist shall conduct a nesting bird survey and verify that migratory birds are not nesting in the site. If nesting activity is detected, the following measures shall be implemented:
- a. The project shall be modified via the use of protective buffers, delaying construction activities, or other methods designated by the qualified biologist to

avoid direct take of identified nests, eggs, and/or young protected under the MBTA and/or California Fish and Game Code;

- b. The qualified biologist shall document all active nests and submit a letter report to NCSA documenting project compliance with the MBTA, California Fish and Game Code, and applicable project mitigation measures.

**Sources**

Baldwin, B., D. Goldman, D. Keil, R. Patterson, and T. Rosatti (editors). 2012. The Jepson Manual: Vascular Plants of California. 2nd Ed. Berkeley, California: University of California Press.

California Native Plant Society (CNPS). 2018. Inventory of Rare, Threatened, and Endangered Plants of California. Available at: <http://www.rareplants.cnps.org/>. Accessed in August 2018.

California Department of Fish and Wildlife. 2018. California Natural Diversity Database (CNDDDB) RareFind Species List for Oceano and Nipomo Geological Survey 7.5-Minute Quadrangles. Available at: <https://www.dfg.ca.gov/biogeodata/cnddb/rarefind.asp>. Accessed in August 2018.

California Department of Fish and Wildlife (CDFW). 2018a. The Protocols for Surveying and Evaluating Impacts to Special Status Native Plant Populations and Sensitive Natural Communities. Accessed in August in 2018.

California Department of Fish and Wildlife (CDFW). 2018b. California Essential Habitat Connectivity Project. Available at: <https://www.wildlife.ca.gov/conservation/planning/connectivity/CEHC>. Accessed in August of 2018.

U.S. Fish and Wildlife Service (USFWS). 2018. Information for Planning and Consultation: IPac Resource List for the Project Alignment. United States Department of the Interior. Available at <https://ecos.fws.gov/ipac/location/SP7JUQJFOJG4BDRJSP2YYX7WXA/resources>. Accessed in August 2018.

U.S. Fish and Wildlife Service (USFWS). 2018b. National Wetlands Inventory: Wetlands Mapper. Available at: <https://www.fws.gov/wetlands/data/mapper.html>. Accessed in December of 2018.

	<b>Potentially Significant Impact</b>	<b>Less Than Significant with Mitigation Incorporated</b>	<b>Less Than Significant Impact</b>	<b>No Impact</b>
--	---------------------------------------	---	-------------------------------------	------------------

**V. CULTURAL RESOURCES**

Would the project:

(a) Cause a substantial adverse change in the significance of a historical resource pursuant to § 15064.5?	<input type="checkbox"/>	<input type="checkbox"/>	<input type="checkbox"/>	<input checked="" type="checkbox"/>
(b) Cause a substantial adverse change in the significance of an archaeological resource pursuant to § 15064.5?	<input type="checkbox"/>	<input checked="" type="checkbox"/>	<input type="checkbox"/>	<input type="checkbox"/>

	Potentially Significant Impact	Less Than Significant with Mitigation Incorporated	Less Than Significant Impact	No Impact
(c) Disturb any human remains, including those interred outside of formal cemeteries?	<input type="checkbox"/>	<input checked="" type="checkbox"/>	<input type="checkbox"/>	<input type="checkbox"/>

### Setting

The project includes the installation of three interconnection facilities in the Nipomo Mesa within existing County right-of-way and on the Woodlands parcel. The GSWC and GSWC-CR Facilities would each require approximately 10 cubic yards of cut material resulting in 500 square feet of disturbance while the WMWC Facility would require approximately 35 cubic yards of cut material resulting in approximately 900 square feet of disturbance. Excavation would not exceed 5 feet in depth and would primarily occur within non-native fill material or areas subject to previous disturbance. The project vicinity is within late Pleistocene “Old eolian deposits (Qoe)” according to the Preliminary Geologic map of the Oceano 7.5-minute Quadrangle for San Luis Obispo County, California (Holland and O’Neil 2013). These deposits have a very low potential to contain important fossils (Woodring and Bramlette 1950).

SWCA conducted a cultural resources study of the project area including a records search at the Central Coast Information Center (CCIC) at the University of California, Santa Barbara, a Native American Heritage Commission (NAHC) Sacred Lands File search, and a pedestrian survey. The records search indicates whether there are known cultural resources located within or near the project area. This included a query of the California Historical Resources Information System (CHRIS) for resources listed on or determined eligible for listing on the National Register of Historical Place (NRHP), the California Register of Historical Resources (CRHR), California State Historical Landmarks, California State Points of Historical Interest, and historic building surveys within or near the project area. The CCIC records search data concluded that there are no previously identified cultural resources within 0.25-mile of any of the three interconnection facility locations. A pedestrian survey was conducted by SWCA on December 5, 2018, and no cultural resources were identified within the project area.

### Discussion

- (a) *Cause a substantial adverse change in the significance of a historical resource pursuant to § 15064.5?*

**No Impact.** The CCIC records search data confirmed that the project sites do not contain, nor are located near, any historic resources identified in the National Register of Historic Places or California Register of Historic Resources. The proposed project will not cause a substantial adverse change in the significance of a historical resource. Therefore, no impacts will occur.

- (b) *Cause a substantial adverse change in the significance of an archaeological resource pursuant to § 15064.5?*

**Less than Significant Impact with Mitigation.** Based on the CCIC records search results and a pedestrian field survey, there are no known archaeological resources within or near the proposed interconnection facilities. Improvements would occur in areas subject to previous disturbance and the extent and depth of grading would generally occur within non-native fill material. However, during excavation, there is a potential to encounter buried and/or obscured archaeological resources during construction. **Mitigation Measure CUL-1** has been identified to reduce potential impacts to less than significant.

(c) *Disturb any human remains, including those interred outside of formal cemeteries?*

**Less than Significant Impact with Mitigation.** There are no known sites containing human remains within or near the project areas and there is a low probability of significant archaeological resources in the area. Based on previous site disturbance and manipulation, buried human remains are not expected in the site area. However, project excavations have the potential to encounter previously unidentified human remains in the form of burials or isolated bones and bone fragments. If human remains are exposed during construction, construction shall halt around the discovery of human remains, the area shall be protected, and consultation and treatment shall occur as prescribed by State law. The County's Coroner and Sheriff Department shall be notified immediately to comply with State Health and Safety Code Section 7050.5, which states that no further disturbance shall occur until the County Coroner has been notified and can make the necessary findings as to origin and disposition of the remains. If the remains are determined to be Native American, the Coroner will notify the NAHC and the remains will be treated in accordance with Public Resources Code Section 5097.98. If the human remains are part of an archaeological site, **Mitigation Measure CUL-2** shall be followed to reduce potential impacts to less than significant.

**Conclusion**

No archaeological or historical resources are known to occur within the project area; however, during excavation there is a potential to encounter buried archaeological resources. In the event of an unanticipated discovery of archeological resources or human remains during project excavations, the following mitigation measures are provided to reduce impacts to less than significant.

**Mitigation Measures**

**CUL-1** In the event that archaeological resources are encountered during the project, all ground disturbing activities in the vicinity of the find shall cease, and the NCSO shall be notified so that the extent and location of discovered materials may be assessed for significance and recorded by a qualified archaeologist.

After the archaeological assessment is completed, the archaeologist shall submit a report describing the significance of the discovery with resource management recommendations to the NCSO. If the finding is determined to be an historical or unique archaeological resource, the NCSO must provide adequate time and funding to allow for sufficient implementation of appropriate mitigation. Should significant archaeological resources be found, the resources shall be treated in compliance with Public Resources Code Section 21083.2. If the project can be modified to accommodate avoidance, preservation of the site is the preferred alternative. Data recovery of the damaged portion of the site also shall be performed pursuant to Public Resources Code Section 21083.2(d).

**CUL-2** If human remains are found, the County's Coroner and Sheriff Department shall be notified immediately and the NCSO shall comply with State Health and Safety Code Section 7050.5, which states that no further disturbance shall occur until the County Coroner has been notified and can make the necessary findings as to origin and disposition of the remains pursuant to Public Resources Code Section 5097.98.

**Sources**

Holland, Peter and Matt O’Neal. 2013. Preliminary Geologic Map of the Oceano 7.5” Quadrangle, San Luis Obispo County, California: a Digital Database. California Geological Survey. Available at: [ftp://ftp.consrv.ca.gov/pub/dmg/rgmp/Prelim\\_geo\\_pdf/Oceano\\_24k\\_v1-0.pdf](ftp://ftp.consrv.ca.gov/pub/dmg/rgmp/Prelim_geo_pdf/Oceano_24k_v1-0.pdf). Accessed in August 2018.

	<b>Potentially Significant Impact</b>	<b>Less Than Significant with Mitigation Incorporated</b>	<b>Less Than Significant Impact</b>	<b>No Impact</b>
--	---	---	---	------------------

**VI. ENERGY**

Would the project:

- |  |                          |                          |                                     |                                     |
|--|--------------------------|--------------------------|-------------------------------------|-------------------------------------|
| (a) Result in a potentially significant environmental impact due to wasteful, inefficient, or unnecessary consumption of energy resources, during project construction or operation? | <input type="checkbox"/> | <input type="checkbox"/> | <input checked="" type="checkbox"/> | <input type="checkbox"/>            |
| (b) Conflict with or obstruct a state or local plan for renewable energy or energy efficiency?   | <input type="checkbox"/> | <input type="checkbox"/> | <input type="checkbox"/>            | <input checked="" type="checkbox"/> |

**Setting**

The new interconnection facilities would consist of new electrical panels and instrument control panels used to operate the interconnection facility and the supervisory control and data acquisition (SCADA) systems. Power to the electrical panels would be provide by Pacific Gas & Electric Company (PG&E), which is the primary electricity provider for urban and rural communities within the County of San Luis Obispo. Approximately 33% of electricity provided by PG&E is sourced from renewable resources and an additional 45% is sourced from greenhouse gas-free resources (PG&E 2017).

The County has adopted a Conservation and Open Space Element (COSE) that establishes goals and policies that aim to reduce vehicle miles traveled, conserve water, increase energy efficiency and the use of renewable energy, and reduce greenhouse gas emissions County-wide. This element provides the basis and direction for the development of the County’s EnergyWise Plan (EWP), which outlines in greater detail the County’s strategy to reduce government and community-wide greenhouse gas emissions through a number of goals, measures, and actions, including energy efficiency and development and use of renewable energy resources.

**Discussion**

- (a) *Result in a potentially significant environmental impact due to wasteful, inefficient, or unnecessary consumption of energy resources, during project construction or operation?*



**Less than Significant Impact.** Installation of the three new facilities is part of the Nipomo Supplemental Water Project and the Supplemental Water Management and Groundwater Replenishment Agreement, allowing the GSWC and the WMWC to receive supplemental water from the City of Santa Maria, through NCS D. Installation and operation of the facilities would require minimal consumption of energy resources. During construction, fossil fuels, electricity, and natural gas would be used by construction vehicles and equipment. The energy consumed during construction would be temporary and would not represent a significant or wasteful demand on available resources. Operationally, minimal energy resources would be required to run the interconnection facilities and additional energy resources would be used for periodic maintenance of the systems. Power use will be very limited and backup power would be supplied by small portable gasoline generators (2 to 3 kilowatt) or solar panels with battery backup. There are no unusual project characteristics that would result in an inefficient, wasteful use, or unnecessary consumption of energy resources during construction or throughout operation. Potential impacts would be less than significant.

**(b) Conflict with or obstruct a state or local plan for renewable energy or energy efficiency?**

**No Impact.** Implementation of the new interconnection facilities would be consistent with anticipated NCS D infrastructure improvements and there are no other improvements or activities associated with the project that would conflict with the EWP or any other state or local plan for renewable energy or energy efficiency. Therefore, no impact would occur, and no mitigation is necessary.

**Conclusion**

No significant impacts related to energy resources were identified; therefore, no mitigation measures are required.

**Sources**

Pacific Gas and Electric (PG&E). 2019. Delivering Low-Emission Energy. Webpage.

	Potentially Significant Impact	Less Than Significant with Mitigation Incorporated	Less Than Significant Impact	No Impact
--	--------------------------------------	--	------------------------------------	-----------

**VII. GEOLOGY AND SOILS**

Would the project:

- |   |                          |                          |                                     |                          |
|---|--------------------------|--------------------------|-------------------------------------|--------------------------|
| (a) Directly or indirectly cause potential substantial adverse effects, including the risk of loss, injury, or death involving: | <input type="checkbox"/> | <input type="checkbox"/> | <input checked="" type="checkbox"/> | <input type="checkbox"/> |
|---|--------------------------|--------------------------|-------------------------------------|--------------------------|

	Potentially Significant Impact	Less Than Significant with Mitigation Incorporated	Less Than Significant Impact	No Impact
(i) Rupture of a known earthquake fault, as delineated on the most recent Alquist-Priolo Earthquake Fault Zoning Map issued by the State Geologist for the area or based on other substantial evidence of a known fault? Refer to Division of Mines and Geology Special Publication 42.	<input type="checkbox"/>	<input type="checkbox"/>	<input checked="" type="checkbox"/>	<input type="checkbox"/>
(ii) Strong seismic ground shaking?	<input type="checkbox"/>	<input type="checkbox"/>	<input checked="" type="checkbox"/>	<input type="checkbox"/>
(iii) Seismic-related ground failure, including liquefaction?	<input type="checkbox"/>	<input type="checkbox"/>	<input checked="" type="checkbox"/>	<input type="checkbox"/>
(iv) Landslides?	<input type="checkbox"/>	<input type="checkbox"/>	<input type="checkbox"/>	<input checked="" type="checkbox"/>
(b) Result in substantial soil erosion or the loss of topsoil?	<input type="checkbox"/>	<input type="checkbox"/>	<input checked="" type="checkbox"/>	<input type="checkbox"/>
(c) Be located on a geologic unit or soil that is unstable, or that would become unstable as a result of the project, and potentially result in on- or off-site landslide, lateral spreading, subsidence, liquefaction or collapse?	<input type="checkbox"/>	<input type="checkbox"/>	<input checked="" type="checkbox"/>	<input type="checkbox"/>
(d) Be located on expansive soil, as defined in Table 18-1-B of the Uniform Building Code (1994), creating substantial direct or indirect risks to life or property?	<input type="checkbox"/>	<input type="checkbox"/>	<input checked="" type="checkbox"/>	<input type="checkbox"/>
(e) Have soils incapable of adequately supporting the use of septic tanks or alternative waste water disposal systems where sewers are not available for the disposal of waste water?	<input type="checkbox"/>	<input type="checkbox"/>	<input type="checkbox"/>	<input checked="" type="checkbox"/>
(f) Directly or indirectly destroy a unique paleontological resource or site or unique geologic feature?	<input type="checkbox"/>	<input checked="" type="checkbox"/>	<input type="checkbox"/>	<input type="checkbox"/>

### Setting

The following information is based on a Geotechnical Data Report prepared for this project (Yeh and Associates, Inc. 2018):

The project is located within the Coast Ranges geologic and geomorphic province, which extends from the Transverse Ranges in southern California to the Klamath Mountains in northern California and into Oregon. The province is characterized by north-northwest trending mountain ranges composed of sedimentary, volcanic, and metamorphic formations predominantly comprising Jurassic and Cretaceous age rocks with Tertiary to Quaternary age rocks commonly overlying the older formations along the

flanks and foothills of those ranges. Pleistocene and Holocene sediments are found above the rock within intervening drainages, valleys, and coastal areas.

Regionally, geologic structure in the site vicinity is characterized by northwest trending faults and folds. Local northwest trending faults include active and potentially active faults such as the Oceano and Wilmar Avenue faults located approximately 1.7 miles southwest, and approximately 0.97 miles northwest of the GSWC Facility, approximately 1.5 miles southwest and approximately 3.9 miles northwest of the GSWC-CR Facility, and approximately 0.41 miles northeast, and approximately 3.8 miles northeast of the WMWC Facility, respectively.

The surface geology for each of the sites is late Pleistocene age Old Eolian Deposits typically consisting of well-sorted red to brown windblown sand with weak to moderate soil development in certain locations. The topography for each of the new facilities is relatively flat to gently sloping and none of the facilities would be located within the County's Geologic Hazards Study Area (GSA) combining designation overlay. Based on the County's General Plan Safety Element, the potential for liquefaction is moderate and the landslide hazard is low for each of the sites. Shrink-swell potential and soil erodibility are low. None of the facilities are within a known area containing serpentine or ultramafic rock or soils nor are any of the facilities located within a 100-year flood zone or Flood Hazard combining designation. The nearest creek to the GSWC Facility is Nipomo Creek, located approximately one-mile northeast, on the east side of Highway 101; the nearest creek to the GSWC-CR Facility is Los Berros Creek, located approximately 0.6 miles north; and the nearest surface water to the WMWC Facility is an unnamed tributary of the Oso Flaco Creek, approximately 1.57 miles southwest of the facility, an unnamed tributary to Black Lake, approximately 1.70 miles north of the WMWC Facility, and the Santa Maria River, approximately 3.58 miles south of the WMWC Facility.

## **Discussion**

(a) *Directly or indirectly cause potential substantial adverse effects, including the risk of loss, injury, or death involving:*

(a-i) *Rupture of a known earthquake fault, as delineated on the most recent Alquist-Priolo Earthquake Fault Zoning Map issued by the State Geologist for the area or based on other substantial evidence of a known fault? Refer to Division of Mines and Geology Special Publication 42.*

**Less than Significant Impact.** Fault rupture refers to displacement of the ground surface along a fault trace. There are three active faults delineated by the Alquist-Priolo Earthquake Fault Zoning Map and 17 other potentially active faults delineated within San Luis Obispo County. The nearest active and potentially active faults are the Oceano and Wilmar Avenue faults. The proposed improvements would primarily be subterranean, requiring installation of an underground vault and associated piping and trenching at a depth of approximately 5 feet. Ground disturbance activities would be minimal and temporary. The project would not directly or indirectly exacerbate the risk of loss, injury, or death associated with the rupture of any known active faults, as delineated on the most recent Alquist-Priolo Earthquake Fault Zoning Map. Impacts would be less than significant, and no mitigation is necessary.

(a-ii) *Strong seismic ground shaking?*

**Less than Significant Impact.** San Luis Obispo County is located in a geologically complex and seismically active region. The project sites are located in area with moderately high potential for seismic activity, ground shaking, and seismic settlement. The project includes the installation of underground interconnection facilities and associated piping and would not directly or indirectly exacerbate the risk of loss, injury, or death associated with strong seismic ground shaking.

Incorporation of current professional engineering standards would ensure the project is designed to adequately address potential seismic-related impacts. Therefore, potential impacts would be less than significant, and no mitigation is necessary.

*(a-iii) Seismic-related ground failure, including liquefaction?*

**Less than Significant Impact.** Liquefaction occurs when strong ground shaking causes saturated soils to lose their strength and behave as a fluid. The project sites are located in an area with moderate potential for liquefaction. The project includes installation of underground interconnection facilities and associated piping and would not directly or indirectly exacerbate the risk of loss, injury, or death associated with liquefaction or any other seismic-related ground failure. Incorporation of current professional engineering standards would ensure the project is designed to adequately address potential liquefaction-related impacts. Therefore, potential impacts would be less than significant, and no mitigation is necessary.

*(a-iv) Landslides?*

**No Impact.** According to the County's General Plan Safety Element and Landslide Hazards overlay map, the proposed project sites are located in area with low potential for landslides. Additionally, the project area is relatively flat surrounded by gentle topography absent of significant geologic features. The project is not located in an area prone to landslides and would not directly or indirectly exacerbate the risk of loss, injury, or death associated with landslides. No impacts would occur, and no mitigation is necessary.

*(b) Result in substantial soil erosion or the loss of topsoil?*

**Less than Significant Impact.** Improvements would occur directly within the County's right-of-way and on the Woodlands parcel, requiring installation of underground 8-foot by 4-foot concrete vaults and associated piping. Disturbance activities include demolition of existing infrastructure (GSWC Facility only) and soil excavation and removal for the new vaults. Asphalt removal and replacement for trenching associated with the pipeline interconnections may also be required. The WMWC Facility would also require the construction of a new 12-foot wide all-weather access road which would conform to the County of San Luis Obispo gravel road standard A-1F. Per County of San Luis Obispo Public Improvement Standards, installation of the access road and pipelines within public right-of-way would be required to include sedimentation and erosion control measures as part of an encroachment permit required by the San Luis Obispo County Department of Public Works. Disturbance would be minimal and localized, and any excess soil or debris would be removed to an offsite location via large trucks. Minimal staging of excess soils, spoils and other debris during construction is anticipated and would occur within the County right-of-way or on the Woodlands parcel and would be covered and protected using Best Management Practices (BMPs) and applicable sedimentation and erosion control measures per the encroachment permit required by the San Luis Obispo County Department of Public Works. Therefore, potential impacts related to soil erosion or loss of topsoil would be less than significant, and no mitigation is necessary.

*(c) Be located on a geologic unit or soil that is unstable, or that would become unstable as a result of the project, and potentially result in on- or off-site landslide, lateral spreading, subsidence, liquefaction or collapse?*

**Less than Significant Impact.** The proposed project would not be located on an unstable soil or geologic unit or placed in areas that would become unstable and potentially result in landslides, lateral spreading, subsidence, liquefaction or collapse. As previously discussed in *Question a-iii* and *a-iv*, the project sites are located in an area with moderate potential for liquefaction and low potential for landslides; however, the project includes underground interconnection facilities and

would not expose people or buildings to liquefaction or any other seismic-related ground failure. Incorporation of current professional engineering standards would ensure the project is designed to adequately address potential impacts related to unstable geologic units. Therefore, potential impacts would be less than significant, and no mitigation is necessary.

- (d) *Be located on expansive soil, as defined in Table 18-1-B of the Uniform Building Code (1994), creating substantial direct or indirect risks to life or property?*

**Less than Significant Impact.** The project includes underground interconnection facilities and would not be located on expansive soils that would create substantial risks to life or property. Incorporation of current professional engineering standards would ensure the project is designed to adequately address potential impacts related to expansive soil conditions. Therefore, potential impacts would be less than significant, and no mitigation is necessary.

- (e) *Have soils incapable of adequately supporting the use of septic tanks or alternative waste water disposal systems where sewers are not available for the disposal of waste water?*

**No Impact.** Septic tanks and other alternative waste water disposal systems are not proposed as part of the project. No waste water disposal would occur onsite as a result of the project. No impacts would occur, and no mitigation is necessary.

- (f) *Directly or indirectly destroy a unique paleontological resource or site or unique geologic feature?*

**Less than Significant Impact with Mitigation.** The project area is underlain with late Pleistocene dune sand. There are no known unique paleontological resources or unique geological features located within the project sites and the area has a low potential for encountering important fossils. Improvements would occur in areas subject to previous disturbance and the extent and depth of grading would generally occur within non-native fill material. However, if paleontological resources are encountered during construction activities, **Mitigation Measure GEO-1** shall be implemented to reduce potential impacts to less than significant.

### **Mitigation Measures**

- GEO-1** If paleontological resources are encountered during ground-disturbing activities, activities in the immediate area of the find shall be halted and a qualified paleontologist shall be retained to evaluate the discovery and recommend appropriate treatment options pursuant to guidelines developed by the Society of Vertebrate Paleontology.

### **Conclusion**

The project would not directly or indirectly exacerbate the potential for substantial adverse effects associated with unstable soil conditions or geologic hazards. No paleontological resources are known to occur within the project area; however, during excavation there is a potential to encounter important fossils. With implementation of Mitigation Measure GEO-1, potential impacts to paleontological resources would be reduced to less than significant.

### **Sources**

County of San Luis Obispo (County). 1999. General Plan: Safety Element.

County of San Luis Obispo (County). 2018. Land Use View: Geology and Soils. Available at: <https://gis.slocounty.ca.gov/sites/luvview.htm>. Accessed on August 24, 2018.

U.S. Department of Agriculture (USDA) Natural Resources Conservation Service (NRCS). 2018. Custom Soil Resource Report for San Luis Obispo County, California, Coastal Part. Available at: <https://websoilsurvey.sc.egov.usda.gov/App/HomePage.htm>. Accessed on: August 24, 2018.

Woodring, W.P. and M.N. Bramlette. 1950. Geology and Paleontology of the Santa Maria District California. Geological Survey Professional Paper 222. U.S. Department of the Interior, Washington. Available at: <https://pubs.usgs.gov/pp/0222/report.pdf>. Accessed May 2018.

Yeh and Associates, Inc. 2018. Geotechnical Data Report – NCS D New Interconnection Facility (at Primavera Lane and Orchard Road, Lyn Road and Red Oaks Way, and Trail View Place and Via Concha Road, Nipomo, California). April 2, 2018.

	Potentially Significant Impact	Less Than Significant with Mitigation Incorporated	Less Than Significant Impact	No Impact
--	--------------------------------------	--	------------------------------------	-----------

### VIII. GREENHOUSE GAS EMISSIONS

Would the project:

- |   |                          |                          |                                     |                                     |
|---|--------------------------|--------------------------|-------------------------------------|-------------------------------------|
| (a) Generate greenhouse gas emissions, either directly or indirectly, that may have a significant impact on the environment?      | <input type="checkbox"/> | <input type="checkbox"/> | <input checked="" type="checkbox"/> | <input type="checkbox"/>            |
| (b) Conflict with an applicable plan, policy or regulation adopted for the purpose of reducing the emissions of greenhouse gases? | <input type="checkbox"/> | <input type="checkbox"/> | <input type="checkbox"/>            | <input checked="" type="checkbox"/> |

#### Setting

Greenhouse gases (GHG) are any gases that absorb infrared radiation in the atmosphere, and are different from the criteria pollutants discussed in Section III, Air Quality, above. The primary GHGs that are emitted into the atmosphere as a result of human activities are carbon dioxide (CO<sub>2</sub>), methane (CH<sub>4</sub>), nitrous oxide (N<sub>2</sub>O), and fluorinated gases. These are most commonly emitted through the burning of fossil fuels (oil, natural gas, and coal), agricultural practices, decay of organic waste in landfills, and a variety of other chemical reactions and industrial processes (e.g., the manufacturing of cement).

Carbon dioxide is the most abundant GHG and is estimated to represent approximately 80-90% of the principal GHGs that are currently affecting the earth’s climate. According to the ARB, transportation (vehicle exhaust) and electricity generation are the main sources of GHG in the state.

The passage of AB32, the California Global Warming Solutions Act (2006), recognized the need to reduce GHG emissions and set the greenhouse gas emissions reduction goal for the State of California into law. The law requires that by 2020, State emissions must be reduced to 1990 levels. This is to be accomplished by reducing greenhouse gas emissions from significant sources via regulation, market mechanisms, and other actions. Subsequent legislation (e.g., SB97-Greenhouse Gas Emissions bill) directed the ARB to develop statewide thresholds.

In December 2008, CARB approved the AB 32 Scoping Plan outlining the State's strategy to achieve the 2020 GHG emissions limit. In April 2015, Governor Edmund G. Brown Jr. also issued an executive order to establish a California GHG reduction target of 40 percent below 1990 levels by 2030 and directed the CARB to update the AB 32 Scoping Plan to incorporate the 2030 target.

In March 2012, the SLOAPCD approved thresholds for GHG emission impacts, and these thresholds have been incorporated into the SLOAPCD's CEQA Air Quality Handbook. The SLOAPCD determined that a tiered process for land use development projects was the most appropriate and effective approach for assessing the GHG emission impacts. The tiered approach includes three methods, any of which can be used for any given project:

1. Qualitative GHG Reduction Strategies (e.g. Climate Action Plans): A qualitative threshold that is consistent with AB 32 Scoping Plan measures and goals; or,
2. Bright-Line Threshold: Numerical value to determine the significance of a project's annual GHG emissions; or,
3. Efficiency-Based Threshold: Assesses the GHG impacts of a project on an emissions per capita basis.

For most projects, the Bright-Line Threshold of 1,150 Metric Tons CO<sub>2</sub>/year (MT CO<sub>2</sub>e/yr) will be the most applicable threshold. The SLOAPCD thresholds are for a project's amortized construction and operational-related GHG emissions. In addition to the land use development threshold options proposed above, a bright-line numerical value threshold of 10,000 MT CO<sub>2</sub>e/yr was adopted for stationary source (industrial) projects.

It should be noted that projects that generate less than the above-mentioned thresholds will also participate in emission reductions because air emissions, including GHGs, are under the purview of the California Air Resources Board (or other regulatory agencies) and will be "regulated" by either CARB, the Federal Government, or other entities. For example, new vehicles will be subject to increased fuel economy standards and emission reductions, large and small appliances will be subject to more strict emissions standards, and energy delivered to consumers will increasingly come from renewable sources. Other programs that are intended to reduce the overall GHG emissions include Low Carbon Fuel Standards, Renewable Portfolio standards, and the Clean Car standards. As a result, even the emissions that result from projects that produce fewer emissions than the threshold will be subject to emission reductions.

Under CEQA, an individual project's GHG emissions will generally not result in direct significant impacts. This is because the climate change issue is global in nature. However, an individual project could be found to contribute to a potentially significant cumulative impact. Projects that have GHG emissions above the noted thresholds may be considered cumulatively considerable and require mitigation.

## **Discussion**

- (a) *Generate greenhouse gas emissions, either directly or indirectly, that may have a significant impact on the environment?*

**Less than Significant Impact.** The project includes the installation of three interconnection facilities for water supply as well as minor access development associated with the WMWC Facility. No GHG emissions would be generated by the project except during short-term construction activities and very limited long-term maintenance activities and the project is well

below any thresholds identified in the SLOAPCD’s screening criteria for project air quality analysis (SLOAPCD CEQA Air Quality Handbook Table 1-1). Further, the project would require a minimal amount of energy for long-term operations. These impacts would be negligible and well under the SLOAPCD’s Bright-Line Threshold; therefore, the project would not result in a considerable contribution to cumulative GHG emissions. Potential impacts would be less than significant, and no mitigation is necessary.

**(b) Conflict with an applicable plan, policy or regulation adopted for the purpose of reducing the emissions of greenhouse gases?**

**No Impact.** The proposed project would not generate significant additional long-term vehicle trips or mobile-source emissions. The project would not conflict with the control measures identified in the CAP or other state and local regulations related to GHG emissions and renewable energy. The project would have no impact on plans and policies adopted for the purpose of reducing GHG emissions and no mitigation is necessary.

**Conclusion**

The project would not generate significant GHG emissions above existing levels and would not exceed any applicable GHG thresholds, considerably contribute to cumulatively significant GHG emissions, or conflict with plans adopted to reduce GHG emissions. Impacts would be less than significant, and no mitigation is necessary.

**Sources**

San Luis Obispo County Air Pollution District (SLOAPCD). 2012. CEQA Air Quality Handbook.

	Potentially Significant Impact	Less Than Significant with Mitigation Incorporated	Less Than Significant Impact	No Impact
--	--------------------------------	--	------------------------------	-----------

**IX. HAZARDS AND HAZARDOUS MATERIALS**

Would the project:

(a) Create a significant hazard to the public or the environment through the routine transport, use, or disposal of hazardous materials?	<input type="checkbox"/>	<input type="checkbox"/>	<input checked="" type="checkbox"/>	<input type="checkbox"/>
(b) Create a significant hazard to the public or the environment through reasonably foreseeable upset and accident conditions involving the release of hazardous materials into the environment?	<input type="checkbox"/>	<input type="checkbox"/>	<input checked="" type="checkbox"/>	<input type="checkbox"/>
(c) Emit hazardous emissions or handle hazardous or acutely hazardous materials, substances, or waste within one-quarter mile of an existing or proposed school?	<input type="checkbox"/>	<input type="checkbox"/>	<input checked="" type="checkbox"/>	<input type="checkbox"/>



	Potentially Significant Impact	Less Than Significant with Mitigation Incorporated	Less Than Significant Impact	No Impact
(d) Be located on a site which is included on a list of hazardous materials sites compiled pursuant to Government Code Section 65962.5 and, as a result, would it create a significant hazard to the public or the environment?	<input type="checkbox"/>	<input type="checkbox"/>	<input type="checkbox"/>	<input checked="" type="checkbox"/>
(e) For a project located within an airport land use plan or, where such a plan has not been adopted, within two miles of a public airport or public use airport, would the project result in a safety hazard or excessive noise for people residing or working in the project area?	<input type="checkbox"/>	<input type="checkbox"/>	<input type="checkbox"/>	<input checked="" type="checkbox"/>
(f) Impair implementation of or physically interfere with an adopted emergency response plan or emergency evacuation plan?	<input type="checkbox"/>	<input type="checkbox"/>	<input checked="" type="checkbox"/>	<input type="checkbox"/>
(g) Expose people or structures, either directly or indirectly, to a significant risk of loss, injury or death involving wildland fires?	<input type="checkbox"/>	<input type="checkbox"/>	<input checked="" type="checkbox"/>	<input type="checkbox"/>

### Setting

Based on a search of the California Department of Toxic Substance Control’s EnviroStor database, the State Water Resources Control Board’s (Water Board) Geotracker system, solid waste disposal sites identified by Water Board, “active” cease and desist orders and cleanup and desist orders identified by the Water Board, and the list of hazardous waste facilities subject to corrective action identified by DTSC, there are no environmental cleanup sites near any of the three interconnection facilities. The project is not located within 2 miles of any public airport or private airstrip; the nearest airport is the Oceano County Airport, located approximately 4 miles northwest of the nearest facility (GSWC-CR Facility). There are no schools located within 0.25 mile of any of the proposed facilities.

### Discussion

- (a) *Create a significant hazard to the public or the environment through the routine transport, use, or disposal of hazardous materials?*

**Less than Significant Impact.** The proposed project involves the installation of three new underground interconnection facilities, which would not create a significant hazard to the public or environment through the routine transport, use, or disposal of hazardous materials. During project construction, road paving materials, epoxies, oil, gasoline, diesel fuel, paints, solvents, and other hazardous materials may be used. The transport, use, handling, and disposal of hazardous materials during construction would be pursuant to local, state, and federal regulations to minimize risk and exposure. No hazardous materials are proposed to be permanently stored onsite. Therefore, the project would not pose a significant risk to the public or environment as a result of the routine transport, use, or disposal of hazardous materials, and impacts would be less than significant. No mitigation is necessary.

- (b) *Create a significant hazard to the public or the environment through reasonably foreseeable upset and accident conditions involving the release of hazardous materials into the environment?*

**Less than Significant Impact.** During the short-term construction period of 4 months for the three project sites, there is a possibility of accidental release of hazardous substances such as road paving materials and petroleum-based fuels used for construction equipment. The level of risk associated with the accidental release of hazardous substances is not considered significant due to the limited nature and duration of construction activities and the small volume and low concentration of materials that would be utilized during construction. No hazardous materials would be permanently stored on site, though soils adjacent to the roadway could potentially contain deposited contaminants. The contractor would be required to use standard construction controls and safety procedures, which would avoid and minimize the potential for accidental release of such substances into the environment and mitigate impacts in the event of a spill or accidental release. Standard construction practices would be implemented such that any materials released are appropriately contained and remediated as required by local, state, and federal law. Therefore, potential impacts related to an accidental release of hazardous materials would be less than significant, and no mitigation is necessary.

- (c) *Emit hazardous emissions or handle hazardous or acutely hazardous materials, substances, or waste within one-quarter mile of an existing or proposed school?*

**Less than Significant Impact.** There are no schools located within 0.25 mile of the proposed interconnection facilities. The proposed project would not emit hazardous emissions or handle acutely hazardous materials, substance or waste; however, during construction, road paving materials, oils, lubricants, fuels, and other hazardous materials may be used. Given the limited nature (underground interconnection facilities), duration of construction activities (approximately 4 months for all three facilities, which is expected to require 30-45 days at each site, with some activities overlapping at each site), and the distance to the nearest school, potential impacts would be less than significant. No mitigation is necessary.

- (d) *Be located on a site which is included on a list of hazardous materials sites compiled pursuant to Government Code Section 65962.5 and, as a result, would it create a significant hazard to the public or the environment?*

**No Impact.** The project sites do not overlay a landfill or hazardous material site. Based on a review of the California Department of Toxic Substance Control's EnviroStor database, the State Water Resources Control Board's Geotracker system, and other lists included in the U.S. Environmental Protection Agency's Cortese List data resources, the new facilities would not be located in an area that includes any known hazardous material storage or cleanup sites. The proposed facilities are not on a site that is on a list of hazardous materials site compiled pursuant to Government Code Section 65962.5 and would not create a significant hazard to the public or the environment related to disturbance in a hazardous materials site. No impacts would occur, and no mitigation is necessary.

- (e) *For a project located within an airport land use plan or, where such a plan has not been adopted, within two miles of a public airport or public use airport, would the project result in a safety hazard or excessive noise for people residing or working in the project area?*

**No Impact.** The proposed facilities are not located near any public airports or County designated Airport Review Areas. The closest public airport is the Oceano County Airport, located approximately 4 miles northwest of the nearest facility. The proposed project would not result in a safety hazard related to airport operations, flight patterns, or other airport uses or resources that

would create a safety hazard or excessive noise for people residing or working in the project area. No impacts would occur, and no mitigation is necessary.

(f) *Impair implementation of or physically interfere with an adopted emergency response plan or emergency evacuation plan?*

**Less than Significant Impact.** Implementation of the proposed project would not have a permanent impact on any adopted emergency response plans or emergency evacuation plans. Temporary construction activities and staging would occur within the County's right-of-way and on the Woodlands parcel, and temporary road closures and/ or detours may be required during construction. Access to nearby residential driveways would be maintained throughout the duration of the project. There are adequate alternative routes available to accommodate any rerouted trips through the project area for the short-term construction period. Therefore, the project would not impair implementation of or physically interfere with an adopted emergency response plan or emergency evacuation plan. Impacts would be less than significant, and no mitigation is necessary.

(g) *Expose people or structures, either directly or indirectly, to a significant risk of loss, injury or death involving wildland fires?*

**Less than Significant Impact.** According to the County's General Plan Safety Element and Fire Hazard Severity Zones overlay map, the project sites are within a high fire hazard severity zone and 0- to 10-minute emergency response time zones. The GSWC and WMWC Facilities are located in the Local Responsibility Area (LRA) and the GSWC-CR Facility is located in the State Responsibility Area (SRA), as designated by CalFire. The closest fire facility is San Luis Obispo County Fire, located approximately 2.5 miles from the GSWC Facility, approximately 6 miles from the GSWC-CR Facility, and approximately 3 miles from the WMWC Facility. The project would construct underground interconnection facilities and would not directly or indirectly expose people or structures to a substantial risk of wildfires, nor impair an adopted emergency plan or result in the maintenance or installation of structures that would further increase the risk of fire. Standard construction processes and BMPs would include any necessary fire management onsite during construction related disturbances. Potential impacts would be less than significant, and no mitigation is necessary.

## **Conclusion**

The proposed project would not result in significant adverse impacts to Hazards and Hazardous Materials. The limited nature and duration of disturbance substantially reduces and avoids the potential for significant effects related to hazardous material contamination, emergency evacuation, and fire risk. Therefore, potential impacts would be less than significant, and no mitigation is necessary.

## **Sources**

California Department of Forestry and Fire Protection (CalFire). 2016. State Responsibility Areas (SRA). Available at: [http://frap.fire.ca.gov/projects/sra\\_mapping/](http://frap.fire.ca.gov/projects/sra_mapping/). Accessed on August 28, 2018.

California Department of Toxic Substance Control. 2018. Envirostor. Available at: <https://www.envirostor.dtsc.ca.gov/public/>. Accessed on August 28, 2018.

California Department of Transportation (Caltrans). 2018. Caltrans GIS Data – Aviation. Available at: <http://www.dot.ca.gov/hq/tsip/gis/datalibrary/>. Accessed on August 28, 2018.

California Environmental Protection Agency (CalEPA). 2018. Cortese List Data Resources. Available at: <https://calepa.ca.gov/sitecleanup/corteselist/>. Accessed on August 28, 2018.

California State Water Resources Control Board (SWRCB). 2018. GeoTracker. Available at: <https://geotracker.waterboards.ca.gov/>. Accessed on August 28, 2018.

County of San Luis Obispo (County). 1999. General Plan: Safety Element.

County of San Luis Obispo (County). 2018. Land Use View: Hazards and Hazardous Materials Available at: <https://gis.slocounty.ca.gov/sites/luview.htm>. Accessed on August 28, 2018.

	<b>Potentially Significant Impact</b>	<b>Less Than Significant with Mitigation Incorporated</b>	<b>Less Than Significant Impact</b>	<b>No Impact</b>
--	---	---	---	------------------

**X. HYDROLOGY AND WATER QUALITY**

Would the project:

(a)	Violate any water quality standards or waste discharge requirements or otherwise substantially degrade surface or ground water quality?	<input type="checkbox"/>	<input type="checkbox"/>	<input checked="" type="checkbox"/>	<input type="checkbox"/>
(b)	Substantially decrease groundwater supplies or interfere substantially with groundwater recharge such that the project may impede sustainable groundwater management of the basin?	<input type="checkbox"/>	<input type="checkbox"/>	<input checked="" type="checkbox"/>	<input type="checkbox"/>
(c)	Substantially alter the existing drainage pattern of the site or area, including through the alteration of the course of a stream or river or through the addition of impervious surfaces, in a manner which would:	<input type="checkbox"/>	<input type="checkbox"/>	<input checked="" type="checkbox"/>	<input type="checkbox"/>
(i)	Result in substantial erosion or siltation on- or off-site;	<input type="checkbox"/>	<input type="checkbox"/>	<input checked="" type="checkbox"/>	<input type="checkbox"/>
(ii)	Substantially increase the rate or amount of surface runoff in a manner which would result in flooding on- or off-site;	<input type="checkbox"/>	<input type="checkbox"/>	<input checked="" type="checkbox"/>	<input type="checkbox"/>
(iii)	Create or contribute runoff water which would exceed the capacity of existing or planned stormwater drainage systems or provide substantial additional sources of polluted runoff; or	<input type="checkbox"/>	<input type="checkbox"/>	<input checked="" type="checkbox"/>	<input type="checkbox"/>
(iv)	Impede or redirect flood flows?	<input type="checkbox"/>	<input type="checkbox"/>	<input type="checkbox"/>	<input checked="" type="checkbox"/>
(d)	In flood hazard, tsunami, or seiche zones, risk release of pollutants due to project inundation?	<input type="checkbox"/>	<input type="checkbox"/>	<input type="checkbox"/>	<input checked="" type="checkbox"/>

	Potentially Significant Impact	Less Than Significant with Mitigation Incorporated	Less Than Significant Impact	No Impact
(e) Conflict with or obstruct implementation of a water quality control plan or sustainable groundwater management plan?	<input type="checkbox"/>	<input type="checkbox"/>	<input checked="" type="checkbox"/>	<input type="checkbox"/>

**Setting**

The project area is located in the Estero Bay Hydrologic Unit, in the Arroyo Grande Hydrologic Area, and in the Oceano Hydrologic Sub-Area – Hydrologic Unit Number 310.31 (GSWC-CR Facility) and the Nipomo Mesa Hydrologic Sub-Area – Hydrologic Unit Number 310.32 (GSWC and WMWC Facility). The proposed project is located within the Los Berros Creek Watershed super-planning area of the Arroyo Grande Creek watershed, approximately 9 miles below the Lopez Lake Dam. The USGS Oceano, California 7.5-minute quadrangle shows the nearest blue-line channel to the GSWC Facility is Nipomo Creek, located approximately one mile northeast; for the GSWC-CR Facility, Los Berros Creek is located approximately 0.6 mile to the north; and for the WMWC Facility, an unnamed tributary of the Oso Flaco Creek is located approximately 1.57 miles southwest of the facility, an unnamed tributary to Black Lake is located approximately 1.70 miles north of the facility, and the Santa Maria River is located approximately 3.58 miles south of the facility. The Federal Emergency Management Agency (FEMA) Flood Insurance Rate Maps (FIRM) indicate that there are no floodplains present within any of the proposed location for the three facilities and each are mapped entirely within Flood Zone X. The project area is underlain by the Santa Maria Groundwater Basin, which underlies more than 280 square miles in the southwestern corner of San Luis Obispo County and the northwestern corner of Santa Barbara County. The project site is not located in the County’s mapped dam inundation area.

**Discussion**

- (a) *Violate any water quality standards or waste discharge requirements or otherwise substantially degrade surface or groundwater quality?*

**Less than Significant Impact.** The proposed project is located within the jurisdiction of the Central Coast Regional Water Quality Control Board (CCRWQCB). The CCRWQCB sets standards for all ground and surface waters within its region. Water Quality standards are defined under the Clean Water Act (CWA) to include both the beneficial uses of specific water bodies and the levels of water quality that must be met and maintained to protect those uses. Water quality standards for all ground and surface waters overseen by the CCRWQCB are documented in their Basin Plan. Water Quality standards are attained when designated beneficial uses are achieved and water quality objectives are being met. The regulatory program of the CCRWQCB is designed to minimize and control discharges to surface and ground water within the region, largely through permitting, such that water quality standards are effectively attained.

Improvements including construction, maintenance, and operation of the NCS D facilities would be covered under an existing Statewide National Pollution Discharge Elimination System (NPDES) Permit for utility discharges. This permit would be revised, as necessary, to cover transmission system installation, cleaning, testing, and operation of the proposed project. Compliance with NPDES permit requirements and implementation of BMPs would ensure that potential impacts related to a violation of any water quality standards or waste discharge requirements would be less than significant. The project does not propose any waste discharge

and would not substantially affect water quality. Therefore, potential impacts would be less than significant, and no mitigation is necessary.

- (b) *Substantially decrease groundwater supplies or interfere substantially with groundwater recharge such that the project may impede sustainable groundwater management of the basin?*

**Less than Significant Impact.** The proposed project is underlain by the Santa Maria Groundwater Basin, which encompasses approximately 280 square miles in the southwestern corner of San Luis Obispo County and the northwestern corner of Santa Barbara County. The Department of Water Resources has designated the Santa Maria Groundwater Basin as high priority under the 2015 Sustainable Groundwater Management Act (SGMA). The SGMA does not apply to the portion of the Santa Maria Basin defined by the Superior Court in the Santa Maria Groundwater Litigation, which is also subject to the stipulation and judgement entered in the adjudication (“adjudicated areas”). The project lies within the adjudicated basin, which is managed by the Nipomo Mesa Management Area (NMMA). NMMA is responsible for implementing monitoring and management practices so that present and future water demands are satisfied without causing long-term damage to the underlying groundwater resource. By stipulation and Court judgement, the NCSO has agreed to purchase and transmit to the NMMA, 2,500 acre-feet of Nipomo Supplemental Water per year from the City of Santa Maria. Under the Supplemental Water Management and Groundwater Replenishment Agreement (Replenishment Agreement; NCSO et. al 2015) and the stipulation, GSWC and WMWC have a purveyor purchase allocation of 8.33% and 16.66%, respectively, of the total 2,500 acre-feet a year delivered through the Nipomo Supplemental Water Project (NSWP). At the time that the stipulation and Replenishment Agreement were entered into, a third water supplier, Rural Water Company, was required to purchase an additional 8.33% of the water delivered through the NSWP. GSWC has since purchased Rural Water Company and is now responsible for its 8.33% share.

The proposed project would install three new underground interconnection facilities as part of the NSWP to allow the GSWC and the WMWC to receive supplemental water from the City of Santa Maria, through NCSO. Installation of the new facilities would allow the GSWC and the WMWC to receive their maximum allowable allocations of water delivery per the Replenishment Agreement and the Stipulation while meeting the objectives of the NSWP. The proposed project would allow for necessary infrastructure improvements for supplemental water and would not substantially increase water demand, deplete groundwater supplies, or interfere substantially with groundwater recharge. The project is consistent with the NMMA’s responsibility to manage the groundwater basin in a manner that avoids long-term damage. As called for in the Stipulation and the Replenishment Agreement, the project would enable supplemental water to be used in areas of the NMMA portion of the groundwater basin showing greatest levels of decline, reducing pumping in those areas and benefitting the basin as a whole. Potential impacts would be less than significant, and no mitigation is necessary.

- (c) *Substantially alter the existing drainage pattern of the site or area, including through the alteration of the course of a stream or river or through the addition of impervious surfaces, in a manner which would:*

- (i) *Result in substantial erosion or siltation on- or off-site?*

**Less than Significant Impact.** Ground disturbance and excavation would primarily occur within the County right-of-way or on the Woodlands parcel, and all disturbance activities would be at least 0.5 mile from the nearest stream or river. As part of the WMWC Facility, a 12-foot all-weather gravel access road would be developed per the County gravel road standard A-1F. The

proposed project would not significantly alter any surface drainage patterns to a point that would result in substantially increasing erosion or siltation on or off site. The project would incorporate BMPs to minimize any potential for construction related runoff. Impacts related to erosion or siltation following construction would be similar to existing conditions and would be less than significant. No mitigation is necessary.

*(ii) Substantially increase the rate or amount of surface runoff in a manner which would result in flooding on- or off-site?*

**Less than Significant Impact.** The proposed project site is not located within the direct vicinity of surface water, and, according to the FEMA FIRM maps, none of the facilities would be located in an area prone to flooding. The proposed project would not alter the course of a stream or river and would not substantially change drainage patterns within the project area. The project would slightly increase impervious surfaces at each facility by approximately 50 square feet and changes to the volume or rate of runoff would be negligible. Remaining surface conditions would be restored to their original condition following construction activities. Additionally, the project would incorporate BMPs to minimize the potential for construction related runoff. Potential impacts would be less than significant, and no mitigation is necessary.

*(iii) Create or contribute runoff water which would exceed the capacity of existing or planned stormwater drainage systems or provide substantial additional sources of polluted runoff?*

**Less than Significant Impact.** Improvements would occur within an existing County right-of-way and on the Woodlands parcel and would not substantially increase or expand existing impervious surfaces within the project area. Although the project would result in slight increases in impervious surfaces (approximately 50 square feet at each facility) changes would be negligible and any potential runoff resulting from the project would be similar to what presently occurs. The project would be predominantly subsurface and does not connect to an existing or planned drainage system. Runoff would continue to sheet flow across the project site along curbs and into pervious roadside surface areas. Potential impacts related to runoff water that could exceed existing or planned storm water drainage systems or provide substantial additional sources of polluted runoff water would be less than significant. No mitigation is necessary.

*(iv) Impede or redirect flood flows?*

**No Impact.** Construction and operation of the proposed project would not substantially affect the existing drainage pattern for the site and no activities or structures are proposed that would substantially impede or redirect runoff from the site. No impacts would occur, and no mitigation is necessary.

*(d) In flood hazard, tsunami, or seiche zones, risk release of pollutants due to project inundation?*

**No Impact.** The project is not located in a 100 or 500-year flood zone. According to the FEMA FIRM maps (panel 06079C1638F – effective 8/28/2008, 06079C1608G – effective 11/16/2012, and 06079C1616F – effective 8/28/2008 – FEMA 2018) the project is in area designated as Zone X, an area of minimal flood hazard above the 500-year level. Lopez Lake Dam is located approximately 9 miles from the nearest facility. The three new facilities would not be within the dam inundation zone according to County’s dam inundation overlay in the General Plan Safety Element. The new facilities are located on the Nipomo Mesa, elevated above the flood prone areas within the Cienega Valley and other areas of the Arroyo Grande Creek Watershed. According to the Department of Conservation’s San Luis Obispo County’s Tsunami Inundation maps (USGS Oceano, California 7.5-minute quadrangle), the project is located outside of a

tsunami inundation zone. The project is not located in proximity to any impounded body of water that would be subject to seiche. The project would install three underground vaults with minimal above ground infrastructure and would not expose people or structures to flooding. The project would not be located in flood hazard, tsunami, or seiche zones, and would not risk release of pollutants due to project inundation. Therefore, no impacts would occur, and no mitigation is necessary.

(e) *Conflict with or obstruct implementation of a water quality control plan or sustainable groundwater management plan?*

**Less than Significant Impact.** As discussed above in response to *Question b*, the project lies within an adjudicated portion of the Santa Maria Basin that is not subject to the SGMA, and installation of the new facilities would allow the GSWC and the WMWC to receive their maximum allowable allocations of water delivery per the Replenishment Agreement and Stipulation. Therefore, the project would not conflict with or obstruct implementation of a water quality control plan or sustainable groundwater management plan. Potential impacts would be less than significant, and no mitigation is necessary.

### **Conclusion**

The new facilities would not be located in proximity to any surface water bodies and would not affect quantity or quality of groundwater. The project does not propose alterations to existing water courses or other significant alterations to existing drainage patterns at the project site. The new facilities are not within the 100-year flood zone and would not substantially increase impervious surfaces. The proposed project would not result in a significant adverse impact related to Hydrology and Water Quality. No mitigation is necessary.

### **Sources**

- California Department of Conservation. 2009. Tsunami Inundation Map for Emergency Planning – Oceano Quadrangle. Available at: [http://www.conservation.ca.gov/cgs/geologic\\_hazards/Tsunami/Inundation\\_Maps/SanLuisObispo](http://www.conservation.ca.gov/cgs/geologic_hazards/Tsunami/Inundation_Maps/SanLuisObispo) Accessed on August 27, 2018.
- County of San Luis Obispo (County). 2018. Santa Maria River Valley Groundwater Basin Non-Adjudicated “Fringe Areas.” Available at: <https://www.slocountywater.org/site/Water%20Resources/SGMA/santamaria/>. Accessed on August 27, 2018
- Federal Emergency Management Agency (FEMA). 2018. FEMA Flood Map Service Center. Available at: <https://msc.fema.gov/portal/search?AddressQuery=nipomo%2Cca>. Accessed on August 27, 2018
- Nipomo Community Services District (NCSD). 2012. Nipomo Community Services District Supplemental Water Project – Addendum Environmental Impact Report.
- Nipomo Community Services District (NCSD), Rural Water Company, The Woodlands Mutual Water Company of San Luis Obispo County, and Golden State Water Company (GSWC). 2015. Supplemental Water Management and Groundwater Replenishment Agreement. October 16, 2015.
- Nipomo Mesa Management Area Technical Group. 2017. Nipomo Mesa Management Area 9th Annual Report Calendar Year 2016. Available at: <https://ncsd.ca.gov/wp-content/uploads/2014/03/9th-Annual-Report-Calendar-Year-2016.pdf>. Accessed on April 26, 2018



Superior Court of the State of California. 2005. Santa Maria Groundwater Litigation Stipulation. June 30, 2005.

\_\_\_\_\_. 2008. Santa Maria Groundwater Litigation Judgement After Trial. January 25, 2008.

	Potentially Significant Impact	Less Than Significant with Mitigation Incorporated	Less Than Significant Impact	No Impact
--	--------------------------------	--	------------------------------	-----------

**XI. LAND USE AND PLANNING**

Would the project:

- |   |                          |                          |                          |                                     |
|---|--------------------------|--------------------------|--------------------------|-------------------------------------|
| (a) Physically divide an established community?   | <input type="checkbox"/> | <input type="checkbox"/> | <input type="checkbox"/> | <input checked="" type="checkbox"/> |
| (b) Cause a significant environmental impact due to a conflict with any land use plan, policy, or regulation adopted for the purpose of avoiding or mitigating an environmental effect? | <input type="checkbox"/> | <input type="checkbox"/> | <input type="checkbox"/> | <input checked="" type="checkbox"/> |

**Setting**

The project is in the Residential Suburban, Residential Rural, and Recreation land use categories in unincorporated San Luis Obispo County within the South County Planning Area (South County Inland Sub Area). The new facilities would be located within the County’s right-of-way or on the Woodlands parcel near suburban and rural neighborhoods. The GSWC Facility is located within the Nipomo Urban Reserve Line and the WMWC Facility is within the Woodlands Village Reserve Line. The GSWC-CR Facility is not located within an Urban or Village Reserve Line, and is approximately 0.20 mile south of the Los Berros Village Reserve Line.

**Discussion**

- (a) *Physically divide an established community?*

**No Impact.** The new facilities would be located near rural and suburban neighborhoods primarily surrounded by single family residences. The proposed improvements would require temporary construction to allow for three underground interconnection facilities to be installed within the County right-of-way and on the Woodlands parcel and would not result in physically dividing an established community. No impacts would occur, and no mitigation is necessary.

- (b) *Cause significant environmental impact due to a conflict with any land use plan, policy, or regulation adopted for the purpose of avoiding or mitigating an environmental effect?*

**No Impact.** The proposed facilities lie within the South County Planning Area – South County Inland Sub-area and within the Nipomo Urban Reserve Line (GSWC Facility) and Woodland Village Reserve Line (WMWC Facility). The South County Area Plan recognizes the rural nature of this region and outlines goals and policies to maintain that character. The proposed project would install three new interconnection facilities to allow the GSWC and WMWC to receive supplemental water from the City of Santa Maria per the Replenishment Agreement and as part of the NSWP. The project would allow for GSWC and WMWC to receive their maximum allowable water allocations and ensure a reliable water supply to the communities within the Nipomo Mesa

area, which would further support the goals of providing community services outlined in the South County Area Plan. Therefore, the project would not cause a significant environmental impact due to a conflict with any land use plan, policy, or regulation. No impacts would occur, and no mitigation is necessary.

**Conclusion**

The proposed project would not result in a significant adverse impact related to Land Use and Planning. Therefore, no mitigation is necessary.

**Sources**

County of San Luis Obispo (County). 2014. General Plan: Land Use and Circulation Elements (Part II): The Area Plans (South County Area Plan).

	Potentially Significant Impact	Less Than Significant with Mitigation Incorporated	Less Than Significant Impact	No Impact
--	--------------------------------	--	------------------------------	-----------

**XII. MINERAL RESOURCES**

Would the project:

(a) Result in the loss of availability of a known mineral resource that would be of value to the region and the residents of the state?	<input type="checkbox"/>	<input type="checkbox"/>	<input type="checkbox"/>	<input checked="" type="checkbox"/>
(b) Result in the loss of availability of a locally- important mineral resource recovery site delineated on a local general plan, specific plan or other land use plan?	<input type="checkbox"/>	<input type="checkbox"/>	<input type="checkbox"/>	<input checked="" type="checkbox"/>

**Setting**

The project site does not contain any known mineral resources.

**Discussion**

(a) *Result in the loss of availability of a known mineral resource that would be of value to the region and the residents of the state?*

**No Impact.** According the County’s General Plan Land Use Element and the Energy or Extractive Area (EX) combining designation overlay, there are no known mineral resources in the project area. Future extraction of mineral resources is very unlikely due to the location of the facilities within the County right-of-way and on the Woodlands parcel, which is encumbered by an open space. No impacts to known mineral resources would occur, and no mitigation is necessary.

- (b) *Result in the loss of availability of a locally- important mineral resource recovery site delineated on a local general plan, specific plan or other land use plan?*

**No Impact.** As discussed in *Question a*, above, there are no known or mapped mineral resources in the project area and the likelihood of future mining of important resources within the project area is very low. No impacts would occur, and no mitigation is necessary.

**Conclusion**

No impacts to Mineral Resources would occur as a result of the project, and no mitigation is necessary.

**Sources**

County of San Luis Obispo (County). 2015. General Plan: Framework for Planning (Inland)

	Potentially Significant Impact	Less Than Significant with Mitigation Incorporated	Less Than Significant Impact	No Impact
--	--------------------------------	--	------------------------------	-----------

**XIII. NOISE**

Would the project result in:

(a) Generation of a substantial temporary or permanent increase in ambient noise levels in the vicinity of the project in excess of standards established in the local general plan or noise ordinance, or applicable standards of other agencies?	<input type="checkbox"/>	<input checked="" type="checkbox"/>	<input type="checkbox"/>	<input type="checkbox"/>
(b) Generation of excessive groundborne vibration or groundborne noise levels?	<input type="checkbox"/>	<input type="checkbox"/>	<input checked="" type="checkbox"/>	<input type="checkbox"/>
(c) For a project located within the vicinity of a private airstrip or an airport land use plan or, where such a plan has not been adopted, within two miles of a public airport or public use airport, would the project expose people residing or working in the project area to excessive noise levels?	<input type="checkbox"/>	<input type="checkbox"/>	<input type="checkbox"/>	<input checked="" type="checkbox"/>

**Setting**

Noise sources throughout the county can generally be divided into two categories: mobile sources and stationary sources. Mobile sources include automobiles, trucks, trains, airplanes, buses, motorcycles, and other vehicles. Stationary sources include power equipment, industrial plants, construction equipment and other activities such as rock concerts and auto racing. The nearest stationery noise source is the Conoco Phillips Santa Maria Facility located over 2 miles south of the nearest facility. All other noise sources in the project vicinity can generally be characterized as mobile sources (predominantly transportation related).

The residential land uses surrounding the project are considered noise-sensitive land uses. While the project is exempt from County noise standards and policies per Government Code section 53091, standards established in the County’s General Plan Noise Element were used as a frame of reference to

evaluate potential noise impacts. The County's General Plan Noise Element outlines numerical noise standards that limit noise exposure within noise-sensitive land uses. For transportation noise sources, 60 A-weighted decibels (dBA) day/night average sound level (L<sub>DN</sub>) or Community Noise Equivalent Level (CNEL) is the acceptable level, and 70 dBA L<sub>DN</sub> or CNEL is considered conditionally acceptable. The maximum allowable noise-exposure for stationary noise sources during the daytime (7 a.m. to 10 p.m.) is 70 dBA.

### **Discussion**

- (a) *Generation of a substantial temporary or permanent increase in ambient noise levels in the vicinity of the project in excess of standards established in the local general plan or noise ordinance, or applicable standards of other agencies?*

**Less than Significant Impact with Mitigation** – The proposed project does not include any features that would generate a permanent or consistent source of mobile or stationary noise. Noise generation from the proposed project would be limited to construction activities. Construction noise would be variable, temporary, and limited in nature and duration. However, construction related noise could exceed standards established in the County General Plan at nearby sensitive receptors (residences). Heavy trucks and machinery for demolition, concrete pouring, waste disposal, etc., could generate a significant amount of noise. Equipment used for asphalt cutting, soil excavation, and aggregate base compaction would likely be the loudest machinery used.

Typical construction equipment (e.g., loader, jack hammer, masonry saw) generally ranges from 90-115 dBA at the source or between 65 to 90 dBA at 50 feet. By estimating sound dampening over distance, noise produced by construction equipment is generally reduced over distance at a rate of about 6 dB per doubling of distance. The GSWC Facility would be located approximately 50 feet northwest of the nearest residence, while the GSWC-CR and WMWC Facilities would be located over 100 feet from the nearest residences, which would result in an approximately 24 dBA or greater reduction in noise generated by construction equipment. In general, given the average distance of construction to the nearest home, noise generating equipment would attenuate to below the 70 dBA threshold; however, in some circumstances, noise levels may infrequently and periodically exceed those levels. Therefore, potential impacts would be potentially significant. **Mitigation Measures NOISE-1** and **NOISE-2** would reduce potential noise impacts by ensuring construction activities are limited to daytime hours and requiring construction equipment to be equipped with appropriate mufflers recommended by the manufacturer. With implementation of these measures, potential impacts would be less than significant.

- (b) *Generation of excessive groundborne vibration or groundborne noise levels?*

**Less than Significant Impact.** Groundborne vibration is not a common environmental problem. It is unusual for vibration from sources such as buses and trucks to be perceptible, even in locations close to major roads. Some common sources of groundborne vibrations are trains, buses on rough roads, and heavy construction activities such as blasting, pile driving, and extensive grading and heavy earth moving equipment. Any groundborne vibrations from construction would be temporary and short-term in nature, and likely imperceptible. No heavy construction activities that would generate significant vibrations are proposed as part of the project. Therefore, impacts related to excessive groundborne vibration would be less than significant. No mitigation is necessary.

(c) *For a project located within the vicinity of a private airstrip or an airport land use plan or, where such a plan has not been adopted, within two miles of a public airport or public use airport, would the project expose people residing or working in the project area to excessive noise levels?*

**No Impact.** The project site is not within 2 miles of any public airport or private airstrip. The nearest airport is the Oceano County Airport, located approximately 4 miles northwest of the nearest facility. The project would not generate a new noise source or expose people residing or working in the project area to existing excessive noise; therefore, no impacts would occur, and no mitigation is necessary.

**Conclusion**

The project has the potential to temporarily and periodically increase ambient noise levels and/or temporarily exceed noise thresholds as defined in the County’s General Plan Noise Element. Mitigation limiting construction hours to times when people are generally away from residences and requiring construction engines be equipped with appropriate mufflers would reduce potential construction-related impacts to less than significant. No long-term operational impacts related to noise would occur, a no additional mitigation is necessary.

**Mitigation Measures**

**NOISE-1** Construction activities shall be limited to the daytime hours of 7:00 a.m. to 9:00 p.m. Monday through Friday, and 8:00 a.m. to 5:00 p.m. on Saturday or Sunday.

**NOISE-2** Internal combustion engines shall be equipped with the muffler recommended by the manufacturer. Internal combustion engines shall not be operated on the job site without the appropriate muffler.

**Sources**

County of San Luis Obispo (County). 1992. General Plan: Noise Element

	Potentially Significant Impact	Less Than Significant with Mitigation Incorporated	Less Than Significant Impact	No Impact
--	--------------------------------	--	------------------------------	-----------

**XIV. POPULATION AND HOUSING**

Would the project:

(a) Induce substantial unplanned population growth in an area, either directly (for example, by proposing new homes and businesses) or indirectly (for example, through extension of roads or other infrastructure)?	<input type="checkbox"/>	<input type="checkbox"/>	<input type="checkbox"/>	<input checked="" type="checkbox"/>
(b) Displace substantial numbers of existing people or housing, necessitating the construction of replacement housing elsewhere?	<input type="checkbox"/>	<input type="checkbox"/>	<input type="checkbox"/>	<input checked="" type="checkbox"/>

## **Setting**

In 2016, the California Department of Finance estimated San Luis Obispo County's population at 277,977. While a large portion of the county's population lives in and around seven incorporated cities, growth in the unincorporated areas including Nipomo and the Nipomo Mesa have continued to outpace other portions of the county. Between 2000 and 2010, the population of Nipomo grew by 24.5%, compared to 12% in the total unincorporated county and 8.5% in the county as a whole (U.S. Census). While this area remains rural relative to other urbanized locations in the county, ongoing pressure for affordable housing has increased development throughout the region.

## **Discussion**

- (a) *Induce substantial unplanned population growth in an area, either directly (for example, by proposing new homes and businesses) or indirectly (for example, through extension of roads or other infrastructure)?*

**No Impact.** The proposed project involves the installation of three new interconnection facilities to convey supplemental water from the City of Santa Maria, via the NCSD, to the Nipomo Mesa. Per the Replenishment Agreement and as part of the NSWP, the new interconnection facilities would allow GSWC and WMWC to connect with the NCSD distribution system and receive their maximum allowable allocations for water delivery. Installation of the new facilities is consistent with the objectives of the NSWP to deliver supplemental water to the Nipomo Mesa Management Area in accordance with the Stipulation and Judgement entered by the Superior Court in the Santa Maria Groundwater Litigation, and it would not remove an obstacle to growth in the area. Therefore, the project would not induce substantial growth directly or indirectly. No impacts would occur, and no mitigation is necessary.

- (b) *Displace substantial numbers of existing people or housing, necessitating the construction of replacement housing elsewhere?*

**No Impact.** The project would occur within the existing County right-of-way and on the Woodlands parcel and would not displace existing people or housing or necessitate the construction of replacement housing elsewhere. No impacts would occur, and no mitigation is necessary.

## **Conclusion**

The proposed project would not result in a significant adverse impact related to Population and Housing. Therefore, no mitigation is necessary.

## **Sources**

U.S. Census Bureau. 2010. 2010 Census Summary File 1, Nipomo CDP, California. Available at: <https://factfinder.census.gov/faces/nav/jsf/pages/index.xhtml#>. Accessed on August 27, 2018.

	Potentially Significant Impact	Less Than Significant with Mitigation Incorporated	Less Than Significant Impact	No Impact
--	--------------------------------	--	------------------------------	-----------

**XV. PUBLIC SERVICES**

(a) Would the project result in substantial adverse physical impacts associated with the provision of new or physically altered governmental facilities, need for new or physically altered governmental facilities, the construction of which could cause significant environmental impacts, in order to maintain acceptable service ratios, response times or other performance objectives for any of the public services:	<input type="checkbox"/>	<input type="checkbox"/>	<input checked="" type="checkbox"/>	<input type="checkbox"/>
Fire protection?	<input type="checkbox"/>	<input type="checkbox"/>	<input checked="" type="checkbox"/>	<input type="checkbox"/>
Police protection?	<input type="checkbox"/>	<input type="checkbox"/>	<input checked="" type="checkbox"/>	<input type="checkbox"/>
Schools?	<input type="checkbox"/>	<input type="checkbox"/>	<input type="checkbox"/>	<input checked="" type="checkbox"/>
Parks?	<input type="checkbox"/>	<input type="checkbox"/>	<input type="checkbox"/>	<input checked="" type="checkbox"/>
Other public facilities?	<input type="checkbox"/>	<input type="checkbox"/>	<input type="checkbox"/>	<input checked="" type="checkbox"/>

**Setting**

The California Department of Forestry and Fire Protection (Cal Fire), a California state agency, functions as the County Fire Department under contract with the County of San Luis Obispo. Approximately 180 full-time state employees operate the Department, supplemented by as many as 100 state seasonal fire fighters, 300 County paid-call and reserve fire fighters, and 120 state inmate fire fighters. The closest fire facility is located approximately 2.5 miles from the GSWC Facility, approximately 6 miles from the GSWC-CR Facility, and approximately 3 miles from the WMWC Facility, with an average response time of 0-10 minutes. The San Luis Obispo County Sheriff's Office provides service to the unincorporated areas of San Luis Obispo County. The nearest Sheriff's office is in the community of Oceano, approximately 13 miles from the GSWC Facility, approximately 6 miles from the GSWC-CR Facility, and approximately 8.5 miles from the WMWC Facility. The project area is within the Lucia Mar Unified School District. Nearby schools have been identified in Table 2, with the closest being Treasures From Heaven Day Care. Numerous parks and public facilities are located within the greater vicinity, most notably, Oceano Dunes State Vehicular Recreation Area, located west of the project sites.

## Discussion

- (a) *Would the project result in substantial adverse physical impacts associated with the provision of new or physically altered governmental facilities, need for new or physically altered governmental facilities, the construction of which could cause significant environmental impacts, in order to maintain acceptable service ratios, response times or other performance objectives for any of the public services:*

### *Fire protection?*

**Less than Significant Impact.** The proposed project would install three new underground interconnection facilities within existing County road right-of-way and on the Woodlands parcel. Construction activities may slightly increase fire risk during construction activities, but the project would not generate substantial long-term increases in demand for fire protection or other emergency services. Response times within the project area are currently within acceptable levels and would not be substantially affected by project construction or operations. The proposed project would not result in substantial adverse physical impacts associated with the provision of new or physically altered fire protection facilities. Therefore, potential impacts would be less than significant, and no mitigation is necessary.

### *Police protection?*

**Less than Significant Impact.** The proposed project would install three new underground interconnection facilities within existing County road right-of-way and on the Woodlands parcel. Construction activities may slightly increase demand on police protection services, but the project would not generate substantial long-term increases in demand for police protection or other emergency services. Response times within the project area are currently within acceptable levels and would not be substantially affected by project construction or operations. The project would not require long-term police protection, would not necessitate the construction of new facilities or increase the long-term demand on police protection services, and would not result in extended response times for police protection services. Potential impacts would be less than significant, and no mitigation is necessary.

### *Schools?*

**No Impact.** The project would install new underground facilities that would not directly impact nearby schools and would not result in the generation of additional school children or create an increase in demand for additional school capacity. No school facilities would be displaced as a result of project implementation. No impacts would occur, and no mitigation is necessary.

### *Parks?*

**No Impact.** The project does not extend through any public parks or recreational area and would not directly impact these resources. The project would not result in an increase in population and would not place any new or increased demand on existing local or regional park and recreation facilities. Construction of the project would not displace any existing or known proposed recreational facilities. Therefore, no impacts related to public park and recreational facilities would occur and no mitigation is necessary.

### *Other public facilities?*

**No Impact.** The project would result in negligible operational impacts and potential construction related effects would be predominantly limited to the existing County right-of-way and Woodlands parcel. The project would not directly or indirectly affect other public facilities in the project vicinity. The proposed project would not directly or indirectly induce population growth



in the area and would not increase demand on public facilities as a result of the project. No expansion of County facilities or emergency services would be required. Therefore, no impacts to other public facilities would occur and no mitigation is necessary.

**Conclusion**

The proposed project would not result in a significant adverse impact related to Public Services. Therefore, no mitigation measures are necessary.

**Sources**

County of San Luis Obispo (County). 2018. Land Use View: Public Services. Available at: <https://gis.slocounty.ca.gov/sites/luvview.htm>. Accessed on August 28, 2018.

	Potentially Significant Impact	Less Than Significant with Mitigation Incorporated	Less Than Significant Impact	No Impact
--	--------------------------------	--	------------------------------	-----------

**XVI. RECREATION**

(a) Would the project increase the use of existing neighborhood and regional parks or other recreational facilities such that substantial physical deterioration of the facility would occur or be accelerated?	<input type="checkbox"/>	<input type="checkbox"/>	<input checked="" type="checkbox"/>	<input type="checkbox"/>
(b) Does the project include recreational facilities or require the construction or expansion of recreational facilities which might have an adverse physical effect on the environment?	<input type="checkbox"/>	<input type="checkbox"/>	<input type="checkbox"/>	<input checked="" type="checkbox"/>

**Setting**

San Luis Obispo County provides a variety of recreational opportunities including hiking, biking, camping, beach access, and golf. The project vicinity itself is suburban and rural, offering few recreational facilities within the immediate vicinity. The Oceano Dunes State Vehicular Recreation Park, Pismo State Beach, Nipomo Regional Park, and the Blacklake Golf Resort are the nearest recreational facilities to the project.

**Discussion**

(a) *Would the project increase the use of existing neighborhood and regional parks or other recreational facilities such that substantial physical deterioration of the facility would occur or be accelerated?*

**Less than Significant Impact.** The proposed project would install underground interconnection facilities to provide supplemental water supply to the Nipomo Mesa. Construction of the facilities would be short in duration and operational maintenance would be minimal and would not directly or indirectly induce population growth which may increase the demand for, use and deterioration of existing parks and recreational facilities. Potential impacts would be less than significant, and no mitigation is necessary.

- (b) *Does the project include recreational facilities or require the construction or expansion of recreational facilities which might have an adverse physical effect on the environment?*

**No Impact.** The proposed project would install underground facilities and would not include the construction or expansion of recreational facilities. Therefore, no impacts related to the construction or expansion of recreational facilities would occur and no mitigation is necessary.

**Conclusion**

No significant impacts to recreational resources would occur and no mitigation is necessary.

**Sources**

County of San Luis Obispo (County). 2006. General Plan: Parks and Recreation Element

	Potentially Significant Impact	Less Than Significant with Mitigation Incorporated	Less Than Significant Impact	No Impact
--	--------------------------------	--	------------------------------	-----------

**XVII. TRANSPORTATION**

Would the project:

(a) Conflict with a program, plan, ordinance or policy addressing the circulation system, including transit, roadway, bicycle, and pedestrian facilities?	<input type="checkbox"/>	<input type="checkbox"/>	<input checked="" type="checkbox"/>	<input type="checkbox"/>
(b) Would the project conflict or be inconsistent with CEQA Guidelines section 15064.3, subdivision (b)?	<input type="checkbox"/>	<input type="checkbox"/>	<input checked="" type="checkbox"/>	<input type="checkbox"/>
(c) Substantially increase hazards due to a geometric design feature (e.g., sharp curves or dangerous intersections) or incompatible uses (e.g., farm equipment)?	<input type="checkbox"/>	<input type="checkbox"/>	<input checked="" type="checkbox"/>	<input type="checkbox"/>
(d) Result in inadequate emergency access?	<input type="checkbox"/>	<input type="checkbox"/>	<input checked="" type="checkbox"/>	<input type="checkbox"/>

**Setting**

Regional access in the project vicinity is provided by U.S. Highway 101 (US 101), a major freeway of statewide importance that traverses north-south through the Central Coast. Access is also provided by State Route 1, another major state highway running north-south along the coastline. Access to the GSWC Facility would primarily be via Orchard Avenue at Primavera Lane, the GSWC-CR Facility would primarily be accessed via Lyn Road near Red Oak Way, and the WMWC Facility would be accessed from a new access drive off Camino Caballo. Orchard Road, an arterial road, and Lyn Road are maintained by the County of San Luis Obispo, while Via Concha Road is privately maintained.

## Discussion

- (a) *Conflict with a program, plan, ordinance or policy addressing the circulation system, including transit roadway, bicycle, and pedestrian facilities?*

**Less than Significant Impact.** The proposed project is consistent with applicable local and regional transportation plans including the County's General Plan Circulation Element (Framework for Planning). Construction at each of the sites would occur sequentially over approximately 4 months and consist of several workers operating small excavators, dump trucks, and a crane. Based on a 2015 circulation study, Via Concha (adjacent to NCSO WMWC project site) and Orchard Road (adjacent to NCSO GSWC project site) are currently operating at Level of Service (LOS) A, which indicates these roadways have stable flow and experience very little congestion (County of San Luis Obispo 2016). Other roadways, including those adjacent to the NCSO GSWCCR project site do not experience a substantial number of trips and additional construction-related trips would be negligible. Therefore, minor increases in construction employee and construction equipment vehicle trips would have a negligible effect on traffic in each of these areas.

Increases in local traffic can be accommodated by existing local streets and construction traffic would comply with applicable County traffic regulations. The contractor would obtain an encroachment permit from the County and would be required to implement any traffic control measures necessary to access the site to maintain unobstructed traffic flow during construction. The project would not result in any long-term changes in traffic or circulation and would not cause a conflict with a program, plan, ordinance or policy establishing measures of effectiveness for the performance of the circulation system, including transit, roadway, bicycle, and pedestrian facilities. Impacts would be less than significant, and no mitigation is necessary.

- (b) *Would the project conflict or be inconsistent with CEQA Guidelines section 15064.3, subdivision (b)?*

**Less than Significant Impact.** In 2013, Senate Bill 743 was signed into law with the intent to "more appropriately balance the needs of congestion management with statewide goals related to infill development, promotion of public health through active transportation, and reduction of greenhouse gas emissions" and required the Governor's Office of Planning and Research (OPR) to identify new metrics for identifying and mitigating transportation impacts within CEQA. As a result, in December 2018, the California Natural Resources Agency certified and adopted updates to the State CEQA Guidelines. The revisions included new requirements related to the implementation of Senate Bill 743 and identified vehicle miles traveled (VMT) per capita, VMT per employee, and net VMT as new metrics for transportation analysis under CEQA. Beginning July 1, 2020, the newly adopted VMT criteria for determining significance of transportation impacts must be implemented statewide. Currently, the County of San Luis Obispo has not yet adopted new standards or threshold targets for VMT reduction, nor has the NCSO. The project does not propose development or any activities that would result in any permanent increases to VMT. Long-term maintenance activities would not substantially increase traffic trips above those currently used to maintain the NCSO infrastructure. Construction related traffic would be short-term and managed through requirements of the San Luis Obispo County encroachment permit and standard construction practices. Therefore, the project would not conflict with or be inconsistent with CEQA Guidelines section 15064.3, subdivision (b). Impacts would be less than significant, and no mitigation is necessary.

- (c) *Substantially increase hazards due to a geometric design feature (e.g., sharp curves or dangerous intersections) or incompatible uses (e.g., farm equipment)?*

**Less than Significant Impact.** Underground interconnections with existing adjacent waterlines may require minor improvements within the road and require new asphalt paving and road surfacing; however, this would be implemented in accordance with the County's Public Improvement Standards and modern safety requirements. The project would not change roadway design and does not include geometric design features that would create new hazards or an incompatible use. Impacts would be less than significant, and no mitigation is necessary.

- (d) *Result in inadequate emergency access?*

**Less than Significant Impact.** The project may result in partial road closures during short-term construction activities; however, individual access to properties neighboring the new facilities will be maintained during all construction activities. Additionally, in the event of partial lane closures, sufficient alternative routes exist near each facility and the project would not interfere or result in inadequate emergency access. Impacts would be less than significant, and no mitigation is necessary.

### **Conclusion**

The proposed project would not result in significant adverse impacts related to Transportation, and no mitigation is necessary.

### **Sources**

County of San Luis Obispo (County). 2015. General Plan: Framework for Planning (Inland).

County of San Luis Obispo (County). 2016. 2015 South County Circulation Study and Traffic Impact Fee Update.

County of San Luis Obispo (County). 2018. Department of Public Works & Transportation: 2019 Public Improvement Standards.

	<b>Potentially Significant Impact</b>	<b>Less Than Significant with Mitigation Incorporated</b>	<b>Less Than Significant Impact</b>	<b>No Impact</b>
--	---	---	---	------------------

**XVIII. TRIBAL CULTURAL RESOURCES**

Would the project cause a substantial adverse change in the significance of a tribal cultural resource, defined in Public Resources Code section 21074 as either a site, feature, place, cultural landscape that is geographically defined in terms of the size and scope of the landscape, sacred place, or object with cultural value to a California Native American tribe, and that is:

- |     |   |                          |                                     |                          |                                     |
|-----|---|--------------------------|-------------------------------------|--------------------------|-------------------------------------|
| (a) | Listed or eligible for listing in the California Register of Historical Resources, or in a local register of historical resources as defined in Public Resources Code section 5020.1(k), or   | <input type="checkbox"/> | <input type="checkbox"/>            | <input type="checkbox"/> | <input checked="" type="checkbox"/> |
| (b) | A resource determined by the lead agency, in its discretion and supported by substantial evidence, to be significant pursuant to criteria set forth in subdivision (c) of Public Resources Code Section 5024.1. In applying the criteria set forth in subdivision (c) of Public Resources Code Section 5024.1, the lead agency shall consider the significance of the resource to a California Native American tribe. | <input type="checkbox"/> | <input checked="" type="checkbox"/> | <input type="checkbox"/> | <input type="checkbox"/>            |

**Setting**

The NCSD (the CEQA Lead Agency) provided notifications to Native American tribes affiliated with the project area pursuant to Assembly Bill 52 (AB 52). Notification letters were sent on September 19, 2018 to the yak tit<sup>y</sup>u tit<sup>y</sup>u - Northern Chumash Tribe, the Northern Chumash Tribal Council, the Santa Ynez Band of Chumash Indians, and the San Luis Obispo County Chumash Council. On September 20, 2018, the NCSD received a request for consultation from Mona Tucker of the yak tit<sup>y</sup>u tit<sup>y</sup>u - Northern Chumash Tribe and consultation was initiated on October 5, 2018. The Phase I Archaeological Survey prepared for the project was provided to Ms. Tucker on January 14, 2019 and no further comments or requests for consultation were received from the yak tit<sup>y</sup>u tit<sup>y</sup>u - Northern Chumash Tribe. On October 8, 2018, Fred Collins of the Northern Chumash Tribal Council requested that the records search and archaeological reports prepared for the project be submitted to the Northern Chumash Tribal Council. The Phase I Archaeological Survey prepared for the project was provided to Mr. Collins on January 14, 2019 and the NCSD also conducted a field visit to the GSWC project site location on Primavera Lane (the GSWC Facility) with Fred Collins. No further comments or requests for consultation was received from the Northern Chumash Tribal Council.

SWCA conducted a cultural resources study (SWCA 2018) of the project area including a records search at the CCIC, a NAHC Sacred Lands File search, and a pedestrian survey conducted on December 5, 2018. The cultural resources survey did not identify cultural resources within the project area. Additionally, no

sites listed in or eligible for listing in the California Register of Historical Resources, or in a local register of historical resources were identified in the project area.

### **Discussion**

- (a) *Listed or eligible for listing in the California Register of Historical Resources, or in a local register of historical resources as defined in Public Resources Code section 5020.1(k), or*

**No Impact.** The proposed project does not contain any known tribal cultural resources that have been listed or are eligible for listing in the California Register of Historical Resources, or in a local register of historical resources as defined in Public Resources Code section 5020.1(k). Therefore, no impacts to historical resources would occur and no mitigation is necessary.

- (b) *A resource determined by the lead agency, in its discretion and supported by substantial evidence, to be significant pursuant to criteria set forth in subdivision (c) of Public Resources Code Section 5024.1. In applying the criteria set forth in subdivision (c) of Public Resources Code Section 5024.1, the lead agency shall consider the significance of the resource to a California Native American tribe.*

**Less than Significant with Mitigation.** The cultural resources survey results as well as consultation between the NCS D and the yak tit<sup>u</sup> tit<sup>u</sup> - Northern Chumash Tribe and the Northern Chumash Tribal Council concluded that there are no known sensitive tribal cultural resources in the project area. However, while the three facilities associated with the project site have low sensitivity based on their location and previous disturbance, discovery of unknown subsurface resources during earthmoving activities is always a possibility. As discussed in Section V, Cultural Resources, **Mitigation Measures CUL-1** and **CUL-2** have been proposed to ensure impacts to any unknown resources that may be encountered during project development would be avoided and/or minimized; therefore, potential project impacts would be less than significant with mitigation.

### **Conclusion**

Following a cultural resources survey and consultation between the NCS D and yak tit<sup>u</sup> tit<sup>u</sup> - Northern Chumash Tribe and the Northern Chumash Tribal Council, no tribal cultural resources have been identified within the proposed disturbance areas. While the potential to impact significant archaeological remains low, **Mitigation Measures CUL-1** and **CUL-2** have been included to reduce potentially significant impacts to tribal cultural resources to less than significant.

	Potentially Significant Impact	Less Than Significant with Mitigation Incorporated	Less Than Significant Impact	No Impact
--	--------------------------------	--	------------------------------	-----------

**XIX. UTILITIES AND SERVICE SYSTEMS**

Would the project:

- |   |                          |                                     |                                     |                                     |
|---|--------------------------|-------------------------------------|-------------------------------------|-------------------------------------|
| (a) Require or result in the relocation or construction of new or expanded water, wastewater treatment or storm water drainage, electric power, natural gas, or telecommunications facilities, the construction or relocation of which could cause significant environmental effects? | <input type="checkbox"/> | <input checked="" type="checkbox"/> | <input type="checkbox"/>            | <input type="checkbox"/>            |
| (b) Have sufficient water supplies available to serve the project and reasonably foreseeable future development during normal, dry, and multiple dry years?   | <input type="checkbox"/> | <input type="checkbox"/>            | <input checked="" type="checkbox"/> | <input type="checkbox"/>            |
| (c) Result in a determination by the wastewater treatment provider which serves or may serve the project that it has adequate capacity to serve the project's projected demand in addition to the provider's existing commitments?  | <input type="checkbox"/> | <input type="checkbox"/>            | <input type="checkbox"/>            | <input checked="" type="checkbox"/> |
| (d) Generate solid waste in excess of State or local standards, or in excess of the capacity of local infrastructure, or otherwise impair the attainment of solid waste reduction goals?  | <input type="checkbox"/> | <input type="checkbox"/>            | <input checked="" type="checkbox"/> | <input type="checkbox"/>            |
| (e) Comply with federal, state, and local management and reduction statutes and regulations related to solid waste?   | <input type="checkbox"/> | <input type="checkbox"/>            | <input checked="" type="checkbox"/> | <input type="checkbox"/>            |

**Setting**

The NCSD has a service area of approximately 7 square miles in southern San Luis Obispo County, and relies on groundwater and imported water from the City of Santa Maria to serve its customers. GSWC and WMWC are partner purveyors and provide water to customers in the Nipomo Mesa outside the NCSD service areas. The GSWC Facility and the WMWC Facility would be located outside the NCSD service area, while the GSWC-CR Facility would be located inside NCSD's service area. All three facilities would be constructed and maintained by the NCSD per the NSWP. Both GSWC interconnects would be located in areas without a wastewater service provider (on-site septic systems are utilized) and the NCSD WMWC site would be located in an area serviced by the WMWC. .

The exact location of existing utility components, infrastructure or systems in the project area, including sewer, natural gas, electric power, and telecommunications has not yet been determined. Although it is not anticipated, any existing utility component or facility that would be impacted by the project would be relocated or replaced in-kind.

## Discussion

- (a) *Require or result in the relocation or construction of new or expanded water, wastewater treatment, or storm water drainage, electric power, natural gas, or telecommunications facilities, the construction or relocation of which could cause significant environmental effects?*

**Less than Significant Impact with Mitigation.** The project proposes three new interconnection facilities that would connect the NCSD with GSWC and WMWC as part of the NSWP to deliver supplemental water to the Nipomo Mesa Management Area in accordance with the Stipulation and Judgement entered in the Santa Maria Groundwater Litigation. As part of the Replenishment Agreement and upon project completion, GSWC and WMWC would receive their maximum allowable purveyor purchaser allocation of 8.33% and 16.66%, respectively, of the total 2,500 acre-feet a year delivered through the NSWP. At the time that the Stipulation and Replenishment Agreement were entered into, a third water supplier, Rural Water Company, was required to purchase an additional 8.33% of the water delivered through the NSWP. GSWC has since purchased Rural Water Company and is now responsible for its 8.33% share. The project would allow for the NCSD to connect with other existing facilities and would not directly or indirectly increase population or promote the generation of additional wastewater or require water supply beyond existing allocations. Storm flows and onsite drainage patterns would not be substantially changed from existing conditions and would be required to comply with applicable post-construction stormwater regulations. The WMWC Facility would require electrical service from PG&E and include the extension of power lines from an existing PG&E power pole to a new power pole along Camino Caballo and the underground installation of a 3-inch electrical conduit from the new power pole to the WMWC Facility. Utility line improvements would be limited, would not occur in sensitive areas, and would be completed in coordination with PG&E using best management practices. Impacts resulting from the installation of utility lines and other project components have been evaluated in this Initial Study and have been determined to result in less than significant environmental effects with implementation of identified mitigation. Therefore, potential impacts would be less than significant with mitigation identified in other resource area sections and the project would not result in the construction of new facilities that would cause significant environmental effects.

- (b) *Have sufficient water supplies available to serve the project and reasonably foreseeable future development during normal, dry, and multiple dry years?*

**Less than Significant Impact.** The project involves the installation of new interconnection facilities to allow for the NCSD to provide supplemental water to its partner purveyors, GSWC and WMWC. Upon project completion, GSWC and WMWC would be able to receive the maximum allowable water allocation per the Replenishment Agreement. The project would meet the objective of the NSWP by providing supplemental water to the Nipomo Mesa and would not create new or expand existing water supply entitlements. Short-term construction activities would require minimal amounts of water (i.e., for concrete mixing, dust suppression, etc.), which would be met through available existing supplies. Potential impacts would be less than significant, and no mitigation is necessary.

- (c) *Result in a determination by the wastewater treatment provider which serves or may serve the project that it has adequate capacity to serve the project's projected demand in addition to the provider's existing commitments?*

**No Impact.** As discussed in the response to *Question a*, above, the proposed project would not include wastewater facilities or create an increase in demand on existing facilities. The site would not require the construction of habitable structures or new restroom facilities. A wastewater



treatment provider would not be required to serve the project and the project would not affect the existing commitments of any provider. No impacts would occur, and no mitigation is necessary.

(d) *Generate solid waste in excess of State or local standards, or in excess of the capacity of local infrastructure, or otherwise impair the attainment of solid waste reduction goals?*

**Less than Significant Impact.** Upon completion, operation and use of the project would not generate any solid waste. Construction activities would result in the generation of solid waste materials, including excavated soils, demolition debris, piping, pavement, and trash. The proposed project will be served by the Cold Canyon Landfill, which has adequate permitted capacity to serve the project. The Cold Canyon Landfill currently has a capacity of 1,650 tons per day and an estimated remaining capacity of 14,500,000 cubic yards. Currently, the estimated closure date for this landfill is December 31, 2040 (CalRecycle 2018). The project would not generate solid waste in excess of State or local standards or in excess of the Cold Canyon Landfill. The project would not otherwise impair the attainment of solid waste reduction goals. Therefore, impacts would be less than significant, and no mitigation is necessary.

(e) *Comply with federal, state, and local management and reduction statutes and regulations related to solid waste?*

**Less than Significant Impact.** As discussed in the response to *Question d*, above, no waste generation would occur after the project has been completed. Construction waste disposal would comply with federal, state, and local management and reduction statutes and regulations related to solid waste. Impacts would be less than significant, and no mitigation is necessary.

**Conclusion**

The proposed project would not result in a significant adverse impact related to Utilities and Service Systems. Therefore, no mitigation is necessary.

**Sources**

CalRecycle. 2018. Facility/Site Summary Details: Cold Canyon Landfill, Inc. (40-AA-0004). Available at: <http://www.calrecycle.ca.gov/SWFacilities/Directory/40-AA-0004/Detail/>. Accessed August 28, 2018.

	<b>Potentially Significant Impact</b>	<b>Less Than Significant with Mitigation Incorporated</b>	<b>Less Than Significant Impact</b>	<b>No Impact</b>
--	---------------------------------------	---	-------------------------------------	------------------

**XX. WILDFIRE**

If located in or near state responsibility areas or lands classified as very high fire hazard severity zones, would the project:

- (a) Substantially impair an adopted emergency response plan or emergency evacuation plan?

	Potentially Significant Impact	Less Than Significant with Mitigation Incorporated	Less Than Significant Impact	No Impact
(b) Due to slope, prevailing winds, and other factors, exacerbate wildfire risks, and thereby expose project occupants to, pollutant concentrations from a wildfire or the uncontrolled spread of a wildfire?	<input type="checkbox"/>	<input type="checkbox"/>	<input type="checkbox"/>	<input checked="" type="checkbox"/>
(c) Require the installation or maintenance of associated infrastructure (such as roads, fuel breaks, emergency water sources, power lines or other utilities) that may exacerbate fire risk or that may result in temporary or ongoing impacts to the environment?	<input type="checkbox"/>	<input type="checkbox"/>	<input checked="" type="checkbox"/>	<input type="checkbox"/>
(d) Expose people or structures to significant risks, including downslope or downstream flooding or landslides, as a result of runoff, post-fire slope instability, or drainage changes?	<input type="checkbox"/>	<input type="checkbox"/>	<input type="checkbox"/>	<input checked="" type="checkbox"/>

### Setting

In central California, the fire season usually extends from roughly May through October, however, recent events may indicate that wildfire behavior, frequency, and duration of the fire season are changing in California. Fire Hazard Severity Zones (FHSZ) are defined by the California Department of Forestry and Fire Protection (CALFIRE) based on the presence of fire-prone vegetation, climate, topography, assets at risk (e.g., high population centers), and a fire protection agency’s ability to provide service to the area (CAL FIRE 2007). FHSZs throughout the County have been designated as “Very High,” “High,” or “Moderate.” According to the County’s General Plan Safety Element and Fire Hazard Severity Zones overlay map, the project sites are within a high fire hazard severity zone with an emergency response times between 0-10 minutes. The GSWC and WMWC Facilities are located in the Local Responsibility Area (LRA) and the GSWC-CR Facility is located in the State Responsibility Area (SRA), as designated by CALFIRE. The closest fire facility is San Luis Obispo County Fire, located approximately 2.5 miles from the GSWC Facility, approximately 6 miles from the GSWC-CR Facility, and approximately 3 miles from the WMWC Facility.

The County Emergency Operations Plan (EOP) addresses several overall policy and coordination functions related to emergency management. The EOP includes the following components:

- Identifies the departments and agencies designated to perform response and recovery activities and specifies tasks they must accomplish;
- Outlines the integration of assistance that is available to local jurisdictions during disaster situations that generate emergency response and recovery needs beyond what the local jurisdiction can satisfy;
- Specifies the direction, control, and communications procedures and systems that will be relied upon to alert, notify, recall, and dispatch emergency response personnel, alert the public, protect residents and property, and request aid/support from other jurisdictions and/or the federal government;

- Identifies key continuity of government operations; and
- Describes the overall logistical support process for planned operations.

Topography influences wildland fire to such an extent that slope conditions can often become a critical wildland fire factor. Conditions such as speed and direction of dominant wind patterns, the length and steepness of slopes, direction of exposure, and/or overall ruggedness of terrain influence the potential intensity and behavior of wildland fires and/or the rates at which they may spread (Barros et al. 2013).

The County of San Luis Obispo Safety Element establishes goals, policies, and programs to reduce the threat to life, structures, and the environment caused by fire. Policy S-13 identifies that new development should be carefully located, with special attention given to fuel management in higher fire risk areas, and that new development in fire hazard areas should be configured to minimize the potential for added danger. Implementation strategies for this policy include identifying high risk areas, the development and implementation of mitigation efforts to reduce the threat of fire, requiring fire resistant material to be used for building construction in fire hazard areas, and encouraging applicants applying for subdivisions in fire hazard areas to cluster development to allow for a wildfire protection zone.

The California Fire Code provides minimum standards for many aspects of fire prevention and suppression activities. These standards include provisions for emergency vehicle access, water supply, fire protection systems, and the use of fire-resistant building materials.

The County has prepared an Emergency Operations Plan (EOP) to outline the emergency measures that are essential for protecting the public health and safety. These measures include, but are not limited to, public alert and notifications, emergency public information and protective actions. The EOP also addresses policy and coordination related to emergency management.

## **Discussion**

- (a) *Substantially impair an adopted emergency response plan or emergency evacuation plan?*

**Less than Significant Impact.** Implementation of the proposed project would not have a permanent impact on any adopted emergency response plans or emergency evacuation plans. Temporary construction activities and staging would occur within the County’s right-of-way and on the Woodlands parcel, and temporary road closures and/or detours may be required during construction. Access to nearby residential driveways would be maintained throughout the duration of the project. There are adequate alternative routes available to accommodate any rerouted trips through the project area for the short-term construction period. Therefore, the project would not substantially impair an adopted emergency response plan or emergency evacuation plan. Potential impacts would be less than significant, and no mitigation is necessary.

- (b) *Due to slope, prevailing winds, and other factors, exacerbate wildfire risks, and thereby expose project occupants to, pollutant concentrations from a wildfire or the uncontrolled spread of a wildfire?*

**No Impact.** The project would develop three separate underground interconnection facilities in areas that are generally flat and do not contain very substantial vegetation or mature trees except for the WMWC Facility located on the Woodlands parcel, which includes a sparse eucalyptus grove. The project does not propose the construction of habitable structures people and maintenance of the facilities would be infrequent. Therefore, the project would not expose project occupants to significant risk or pollutant concentrations from a wildfire. The interconnection facilities do not propose any design elements and are not located in an area of steep slopes, strong

prevailing winds, or other factors that would exacerbate risks of wildfire or the uncontrolled spread of wildfire. Therefore, no impacts would occur, and no mitigation is necessary.

- (c) *Require the installation or maintenance of associated infrastructure (such as roads, fuel breaks, emergency water sources, power lines or other utilities) that may exacerbate fire risk or that may result in temporary or ongoing impacts to the environment?*

**Less than Significant Impact.** The potential temporary and ongoing impacts to the environment resulting from the installation of proposed infrastructure, including new electrical service from PG&E to the WMWC Facility, have been evaluated in this Initial Study and have been determined to result in less than significant environmental effects with implementation of mitigation identified in other resource area sections regarding the construction of wildfire-associated infrastructure that would cause significant environmental effects.

The proposed extension of power lines from an existing PG&E power pole to a new power pole along Camino Caballo and the underground installation of a 3-inch electrical conduit from the new power pole to the WMWC Facility could result in a marginal increase in wildfire risks, as electrical transmission facilities are a known ignition source of wildfires. The WMWC Facility would also require the construction of a new 12-foot wide all-weather access drive via Camino Caballo, thereby improving access, and the removal of existing vegetation including eucalyptus trees, reducing wildfire fuel. All project-related improvements including development of the access road would be constructed and operated consistent with applicable engineering and building code standards. Utility line installation would be conducted in compliance with PG&E standard practices, including Best Management Practices. Associated infrastructure improvements at the WMWC Facility would be minimal and would be managed for wildfire safety as a part of PG&E's existing maintenance activities. Therefore, associated infrastructure improvement would not significantly exacerbate wildfire risk or result in temporary or ongoing impacts to the environment. In the event of a power outage, backup power would be supplied by small portable gasoline generators (2 to 3 kilowatt) or solar panels with battery backup. Potential impacts would be less than significant, and no mitigation is necessary.

- (d) *Expose people or structures to significant risks, including downslope or downstream flooding or landslides, as a result of runoff, post-fire slope instability, or drainage changes?*

**No Impact.** The project would develop three separate underground interconnection facilities in areas that are generally flat and would not be located near slopes or areas subject to downstream flooding or landslides. Therefore, the project does not include any design elements that would expose people or structures to significant risks, including downslope or downstream flooding or landslides, as a result of runoff, post-fire slope instability, or drainage changes. Potential impacts would be less than significant, and no mitigation is necessary.

## **Conclusion**

The proposed project would not result in a significant adverse impact related to Wildfire. Therefore, no mitigation is necessary.

## **Sources**

Barros, Ana M.G., Jose M.C. Pereira, Max A. Moritz, and Scott L. Stephens. 2013. Spatial Characterization of Wildfire Orientation Patterns in California. *Forests* 2013, 4; Pp 197-217." 2013.

	Potentially Significant Impact	Less Than Significant with Mitigation Incorporated	Less Than Significant Impact	No Impact
--	--------------------------------	--	------------------------------	-----------

**XXI. MANDATORY FINDINGS OF SIGNIFICANCE**

- |     |   |                          |                                     |                          |                          |
|-----|---|--------------------------|-------------------------------------|--------------------------|--------------------------|
| (a) | Does the project have the potential to substantially degrade the quality of the environment, substantially reduce the habitat of a fish or wildlife species, cause a fish or wildlife population to drop below self-sustaining levels, threaten to eliminate a plant or animal community, substantially reduce the number or restrict the range of a rare or endangered plant or animal or eliminate important examples of the major periods of California history or prehistory? | <input type="checkbox"/> | <input checked="" type="checkbox"/> | <input type="checkbox"/> | <input type="checkbox"/> |
| (b) | Does the project have impacts that are individually limited, but cumulatively considerable? ("Cumulatively considerable" means that the incremental effects of a project are considerable when viewed in connection with the effects of past projects, the effects of other current projects, and the effects of probable future projects)?   | <input type="checkbox"/> | <input checked="" type="checkbox"/> | <input type="checkbox"/> | <input type="checkbox"/> |
| (c) | Does the project have environmental effects which will cause substantial adverse effects on human beings, either directly or indirectly?  | <input type="checkbox"/> | <input checked="" type="checkbox"/> | <input type="checkbox"/> | <input type="checkbox"/> |

**Discussion**

- (a) *Does the project have the potential to substantially degrade the quality of the environment, substantially reduce the habitat of a fish or wildlife species, cause a fish or wildlife population to drop below self-sustaining levels, threaten to eliminate a plant or animal community, substantially reduce the number or restrict the range of a rare or endangered plant or animal or eliminate important examples of the major periods of California history or prehistory?*

**Less than Significant Impact with Mitigation.** As discussed in the preceding sections, the project has the potential to degrade the quality of the environment, including short-term construction related impacts on air quality and noise and effects on sensitive animal species and

nesting birds. Mitigation measures have been identified to reduce potential impacts to a less-than-significant level, including but not limited to, avoidance of sensitive animal species, standard dust and DPM reduction measures, and standard construction noise reducing measures. Implementation of identified mitigation would reduce potential impacts to sensitive species, noise, and historic and prehistoric resources to less than significant.

- (b) *Does the project have impacts that are individually limited, but cumulatively considerable? (“Cumulatively considerable” means that the incremental effects of a project are considerable when viewed in connection with the effects of past projects, the effects of other current projects, and the effects of probable future projects)?*

**Less than Significant Impact with Mitigation.** When project impacts are considered along with, or in combination with other impacts, the project-related impacts may be significant. Construction and operation of the project would contribute to cumulative levels of air pollutant emissions, increases in ambient noise levels, and potential impacts to special status animal species. Mitigation measures have been incorporated into the project to reduce project-related impacts to a less than significant and less than cumulatively considerable level. Based on implementation of identified project-specific mitigation measures, the cumulative effects of the proposed project would not be cumulatively considerable and would be less than significant.

- (c) *Does the project have environmental effects which will cause substantial adverse effects on human beings, either directly or indirectly?*

**Less than Significant Impact with Mitigation.** Implementation of the project would result in the short-term generation of air pollutants and increase ambient noise levels to levels that may exceed established acceptable thresholds at proximate sensitive receptors (residences). Mitigation measures have been developed that would reduce these project-specific impacts to a less than significant level; therefore, the project would not result in substantial, adverse environmental effects to human beings, either directly or indirectly.

### **Conclusion**

Based on implementation of mitigation measures identified in each of the sections above, all potential impacts associated with the construction and operation of the proposed project would be mitigated to less than significant levels.

## **ATTACHMENTS**

Attachment 1 – Project Design Plans

Attachment 2 – Mitigation Monitoring and Reporting Program

## Attachment 1 - Project Design Plans





APN: 092-421-001

GSWC WATER MAIN (E)

ORCHARD ROAD

NCSW WATER MAIN (E)

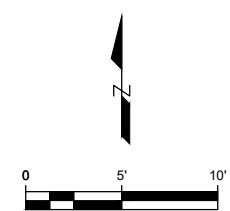
PRIMAVERA LANE

APN: 092-422-001

### EXISTING SITE PLAN

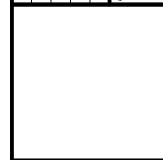
SCALE: 1:5

BLOCK 2  
6 MB 85



DWS: \\MKR01\Corporation\Projects\Nipomo\GIS\NCSW\Interconnect\01\_GSWC\Drawings\01\_01.dwg USER: jrf  
DATE: May 03, 2018 3:08pm AREFS: REF-C-BM REF-C-AU REF-C-SW REF-C-UP REF-C-ED IMAGES: GE, AEPAL, H REF-C-RED  
PRIMAVERA.RIF PRIMAVERA.RIF PRIMAVERA.RIF PRIMAVERA.RIF PRIMAVERA.RIF PRIMAVERA.RIF PRIMAVERA.RIF PRIMAVERA.RIF  
1:color.dwg 1:color.dwg NCSW\_LO00-transparent\_progress.dwg

APPR	EXP DATE
DESCRIPTION	REG NUMBER
PROJECT ENGINEER	C61801
DATE	MICHAEL K. NUNLEY
REV	
DATE	



WATER - WASTEWATER - REUSE  
P.O. BOX 1604  
ARROYO GRANDE, CA 93421 (805) 904-6530



Nipomo Community Services District  
NCSW-GSWC INTERCONNECTION  
SITE SURVEY AND  
EXISTING UTILITIES

DESIGNED: RAL
DETAILED: JPF
CHECKED: ---
APPROVED: ---
DATE: MAY 2018
PROJECT NO. ---

C-101  
SHEET  
1 OF X

**FOR PRELIMINARY USE ONLY**  
NOT TO BE USED FOR CONSTRUCTION  
DATE: MAY 2018  
**\*\*DRAFT PLANSET - NOT FOR CONSTRUCTION\*\***



Know what's below.  
Call before you dig.

APN: 092-421-001

GSWC (E) WATER MAIN

ORCHARD ROAD

NCS D WATER MAIN (E)

PRIMAVERA LANE

6" GATE VALVE, FLGX MJ  
(E) VALVE AND HOT TAP  
GSWC POINT OF CONNECTION  
8'-3"±  
23'-0"±  
8'-2"±

(N) 6"Ø PVC PIPE

(N) BLOWOFF ASSEMBLY

(N) ANTENNA MAST

(N) AIR RELEASE VALVE ASSEMBLY

STUMP TO BE REMOVED

BOLLARD PER NCS D W-7, TYP

(N) NCS D-GSWC INTERCONNECTION VAULT (4'x8')

INTERCEPT AND EXTEND PG&E SERVICE

EXISTING GSWC BOOSTER STATION TO BE DEMOLISHED

NCS D 6" GATE VALVE, FLGX FLG

(N) CONTROL PANEL ENCLOSURE (8'x2')

APN: 092-422-001

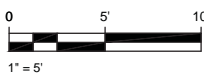
NCS D BOUNDARY

GSWC (E) WATER MAIN

(E) PG&E CONDUIT

(E) PG&E POLE

BLOCK 2  
6 MB 85



SITE PLAN  
SCALE: 1:5



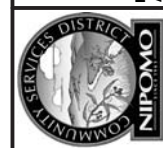
FOR PRELIMINARY USE ONLY  
NOT TO BE USED FOR CONSTRUCTION

DATE: MAY 2018  
\*\*DRAFT PLANSET - NOT FOR CONSTRUCTION

APPR	EXP DATE
DESCRIPTION	REG NUMBER
PROJECT ENGINEER	C61801
DATE	MICHAEL K. NUNLEY
REV	
REV	
REV	



WATER - WASTEWATER - REUSE  
P.O. BOX 1604  
ARROYO GRANDE, CA 93421  
(805) 904-6530



Nipomo Community Services District  
NCS D-GSWC INTERCONNECTION  
SITE PLAN

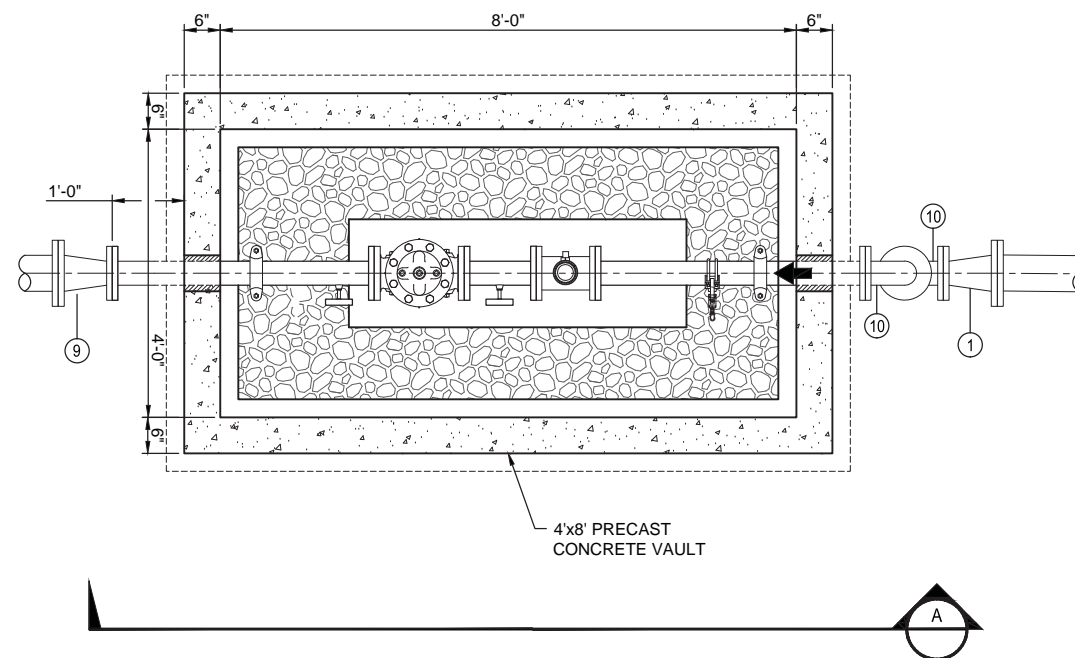
DESIGNED: RAL
DETAILED: JPF
CHECKED: ---
APPROVED: ---
DATE: MAY 2018
PROJECT NO.

C-102  
SHEET  
2 OF X

DNW: M:\Projects\Nipomo\GIS\NCS - 0917 - 088 - GSWC Interconnect\301 CAD\Station\1:50.dwg  
DATE: May 10, 2018 1:49pm  
USER: RAL  
IMAGES: DE AERIAL.HIF  
REF: C-8B  
REF: C-8A  
REF: C-8C  
REF: C-8D  
REF: C-8E  
REF: C-8F  
REF: C-8G  
REF: C-8H  
REF: C-8I  
REF: C-8J  
REF: C-8K  
REF: C-8L  
REF: C-8M  
REF: C-8N  
REF: C-8O  
REF: C-8P  
REF: C-8Q  
REF: C-8R  
REF: C-8S  
REF: C-8T  
REF: C-8U  
REF: C-8V  
REF: C-8W  
REF: C-8X  
REF: C-8Y  
REF: C-8Z  
REF: C-8AA  
REF: C-8AB  
REF: C-8AC  
REF: C-8AD  
REF: C-8AE  
REF: C-8AF  
REF: C-8AG  
REF: C-8AH  
REF: C-8AI  
REF: C-8AJ  
REF: C-8AK  
REF: C-8AL  
REF: C-8AM  
REF: C-8AN  
REF: C-8AO  
REF: C-8AP  
REF: C-8AQ  
REF: C-8AR  
REF: C-8AS  
REF: C-8AT  
REF: C-8AU  
REF: C-8AV  
REF: C-8AW  
REF: C-8AX  
REF: C-8AY  
REF: C-8AZ  
REF: C-8BA  
REF: C-8BB  
REF: C-8BC  
REF: C-8BD  
REF: C-8BE  
REF: C-8BF  
REF: C-8BG  
REF: C-8BH  
REF: C-8BI  
REF: C-8BJ  
REF: C-8BK  
REF: C-8BL  
REF: C-8BM  
REF: C-8BN  
REF: C-8BO  
REF: C-8BP  
REF: C-8BQ  
REF: C-8BR  
REF: C-8BS  
REF: C-8BT  
REF: C-8BU  
REF: C-8BV  
REF: C-8BW  
REF: C-8BX  
REF: C-8BY  
REF: C-8BZ  
REF: C-8CA  
REF: C-8CB  
REF: C-8CC  
REF: C-8CD  
REF: C-8CE  
REF: C-8CF  
REF: C-8CG  
REF: C-8CH  
REF: C-8CI  
REF: C-8CJ  
REF: C-8CK  
REF: C-8CL  
REF: C-8CM  
REF: C-8CN  
REF: C-8CO  
REF: C-8CP  
REF: C-8CQ  
REF: C-8CR  
REF: C-8CS  
REF: C-8CT  
REF: C-8CU  
REF: C-8CV  
REF: C-8CW  
REF: C-8CX  
REF: C-8CY  
REF: C-8CZ  
REF: C-8DA  
REF: C-8DB  
REF: C-8DC  
REF: C-8DD  
REF: C-8DE  
REF: C-8DF  
REF: C-8DG  
REF: C-8DH  
REF: C-8DI  
REF: C-8DJ  
REF: C-8DK  
REF: C-8DL  
REF: C-8DM  
REF: C-8DN  
REF: C-8DO  
REF: C-8DP  
REF: C-8DQ  
REF: C-8DR  
REF: C-8DS  
REF: C-8DT  
REF: C-8DU  
REF: C-8DV  
REF: C-8DW  
REF: C-8DX  
REF: C-8DY  
REF: C-8DZ  
REF: C-8EA  
REF: C-8EB  
REF: C-8EC  
REF: C-8ED  
REF: C-8EE  
REF: C-8EF  
REF: C-8EG  
REF: C-8EH  
REF: C-8EI  
REF: C-8EJ  
REF: C-8EK  
REF: C-8EL  
REF: C-8EM  
REF: C-8EN  
REF: C-8EO  
REF: C-8EP  
REF: C-8EQ  
REF: C-8ER  
REF: C-8ES  
REF: C-8ET  
REF: C-8EU  
REF: C-8EV  
REF: C-8EW  
REF: C-8EX  
REF: C-8EY  
REF: C-8EZ  
REF: C-8FA  
REF: C-8FB  
REF: C-8FC  
REF: C-8FD  
REF: C-8FE  
REF: C-8FF  
REF: C-8FG  
REF: C-8FH  
REF: C-8FI  
REF: C-8FJ  
REF: C-8FK  
REF: C-8FL  
REF: C-8FM  
REF: C-8FN  
REF: C-8FO  
REF: C-8FP  
REF: C-8FQ  
REF: C-8FR  
REF: C-8FS  
REF: C-8FT  
REF: C-8FU  
REF: C-8FV  
REF: C-8FW  
REF: C-8FX  
REF: C-8FY  
REF: C-8FZ  
REF: C-8GA  
REF: C-8GB  
REF: C-8GC  
REF: C-8GD  
REF: C-8GE  
REF: C-8GF  
REF: C-8GG  
REF: C-8GH  
REF: C-8GI  
REF: C-8GJ  
REF: C-8GK  
REF: C-8GL  
REF: C-8GM  
REF: C-8GN  
REF: C-8GO  
REF: C-8GP  
REF: C-8GQ  
REF: C-8GR  
REF: C-8GS  
REF: C-8GT  
REF: C-8GU  
REF: C-8GV  
REF: C-8GW  
REF: C-8GX  
REF: C-8GY  
REF: C-8GZ  
REF: C-8HA  
REF: C-8HB  
REF: C-8HC  
REF: C-8HD  
REF: C-8HE  
REF: C-8HF  
REF: C-8HG  
REF: C-8HH  
REF: C-8HI  
REF: C-8HJ  
REF: C-8HK  
REF: C-8HL  
REF: C-8HM  
REF: C-8HN  
REF: C-8HO  
REF: C-8HP  
REF: C-8HQ  
REF: C-8HR  
REF: C-8HS  
REF: C-8HT  
REF: C-8HU  
REF: C-8HV  
REF: C-8HW  
REF: C-8HX  
REF: C-8HY  
REF: C-8HZ  
REF: C-8IA  
REF: C-8IB  
REF: C-8IC  
REF: C-8ID  
REF: C-8IE  
REF: C-8IF  
REF: C-8IG  
REF: C-8IH  
REF: C-8IJ  
REF: C-8IK  
REF: C-8IL  
REF: C-8IM  
REF: C-8IN  
REF: C-8IO  
REF: C-8IP  
REF: C-8IQ  
REF: C-8IR  
REF: C-8IS  
REF: C-8IT  
REF: C-8IU  
REF: C-8IV  
REF: C-8IW  
REF: C-8IX  
REF: C-8IY  
REF: C-8IZ  
REF: C-8JA  
REF: C-8JB  
REF: C-8JC  
REF: C-8JD  
REF: C-8JE  
REF: C-8JF  
REF: C-8JG  
REF: C-8JH  
REF: C-8JI  
REF: C-8JJ  
REF: C-8JK  
REF: C-8JL  
REF: C-8JM  
REF: C-8JN  
REF: C-8JO  
REF: C-8JP  
REF: C-8JQ  
REF: C-8JR  
REF: C-8JS  
REF: C-8JT  
REF: C-8JU  
REF: C-8JV  
REF: C-8JW  
REF: C-8JX  
REF: C-8JY  
REF: C-8JZ  
REF: C-8KA  
REF: C-8KB  
REF: C-8KC  
REF: C-8KD  
REF: C-8KE  
REF: C-8KF  
REF: C-8KG  
REF: C-8KH  
REF: C-8KI  
REF: C-8KJ  
REF: C-8KK  
REF: C-8KL  
REF: C-8KM  
REF: C-8KN  
REF: C-8KO  
REF: C-8KP  
REF: C-8KQ  
REF: C-8KR  
REF: C-8KS  
REF: C-8KT  
REF: C-8KU  
REF: C-8KV  
REF: C-8KW  
REF: C-8KX  
REF: C-8KY  
REF: C-8KZ  
REF: C-8LA  
REF: C-8LB  
REF: C-8LC  
REF: C-8LD  
REF: C-8LE  
REF: C-8LF  
REF: C-8LG  
REF: C-8LH  
REF: C-8LI  
REF: C-8LJ  
REF: C-8LK  
REF: C-8LL  
REF: C-8LM  
REF: C-8LN  
REF: C-8LO  
REF: C-8LP  
REF: C-8LQ  
REF: C-8LR  
REF: C-8LS  
REF: C-8LT  
REF: C-8LU  
REF: C-8LV  
REF: C-8LW  
REF: C-8LX  
REF: C-8LY  
REF: C-8LZ  
REF: C-8MA  
REF: C-8MB  
REF: C-8MC  
REF: C-8MD  
REF: C-8ME  
REF: C-8MF  
REF: C-8MG  
REF: C-8MH  
REF: C-8MI  
REF: C-8MJ  
REF: C-8MK  
REF: C-8ML  
REF: C-8MN  
REF: C-8MO  
REF: C-8MP  
REF: C-8MQ  
REF: C-8MR  
REF: C-8MS  
REF: C-8MT  
REF: C-8MU  
REF: C-8MV  
REF: C-8MW  
REF: C-8MX  
REF: C-8MY  
REF: C-8MZ  
REF: C-8NA  
REF: C-8NB  
REF: C-8NC  
REF: C-8ND  
REF: C-8NE  
REF: C-8NF  
REF: C-8NG  
REF: C-8NH  
REF: C-8NI  
REF: C-8NJ  
REF: C-8NK  
REF: C-8NL  
REF: C-8NM  
REF: C-8NO  
REF: C-8NP  
REF: C-8NQ  
REF: C-8NR  
REF: C-8NS  
REF: C-8NT  
REF: C-8NU  
REF: C-8NV  
REF: C-8NW  
REF: C-8NX  
REF: C-8NY  
REF: C-8NZ  
REF: C-8OA  
REF: C-8OB  
REF: C-8OC  
REF: C-8OD  
REF: C-8OE  
REF: C-8OF  
REF: C-8OG  
REF: C-8OH  
REF: C-8OI  
REF: C-8OJ  
REF: C-8OK  
REF: C-8OL  
REF: C-8OM  
REF: C-8ON  
REF: C-8OO  
REF: C-8OP  
REF: C-8OQ  
REF: C-8OR  
REF: C-8OS  
REF: C-8OT  
REF: C-8OU  
REF: C-8OV  
REF: C-8OW  
REF: C-8OX  
REF: C-8OY  
REF: C-8OZ  
REF: C-8PA  
REF: C-8PB  
REF: C-8PC  
REF: C-8PD  
REF: C-8PE  
REF: C-8PF  
REF: C-8PG  
REF: C-8PH  
REF: C-8PI  
REF: C-8PJ  
REF: C-8PK  
REF: C-8PL  
REF: C-8PM  
REF: C-8PN  
REF: C-8PO  
REF: C-8PP  
REF: C-8PQ  
REF: C-8PR  
REF: C-8PS  
REF: C-8PT  
REF: C-8PU  
REF: C-8PV  
REF: C-8PW  
REF: C-8PX  
REF: C-8PY  
REF: C-8PZ  
REF: C-8QA  
REF: C-8QB  
REF: C-8QC  
REF: C-8QD  
REF: C-8QE  
REF: C-8QF  
REF: C-8QG  
REF: C-8QH  
REF: C-8QI  
REF: C-8QJ  
REF: C-8QK  
REF: C-8QL  
REF: C-8QM  
REF: C-8QN  
REF: C-8QO  
REF: C-8QP  
REF: C-8QQ  
REF: C-8QR  
REF: C-8QS  
REF: C-8QT  
REF: C-8QU  
REF: C-8QV  
REF: C-8QW  
REF: C-8QX  
REF: C-8QY  
REF: C-8QZ  
REF: C-8RA  
REF: C-8RB  
REF: C-8RC  
REF: C-8RD  
REF: C-8RE  
REF: C-8RF  
REF: C-8RG  
REF: C-8RH  
REF: C-8RI  
REF: C-8RJ  
REF: C-8RK  
REF: C-8RL  
REF: C-8RM  
REF: C-8RN  
REF: C-8RO  
REF: C-8RP  
REF: C-8RQ  
REF: C-8RR  
REF: C-8RS  
REF: C-8RT  
REF: C-8RU  
REF: C-8RV  
REF: C-8RW  
REF: C-8RX  
REF: C-8RY  
REF: C-8RZ  
REF: C-8SA  
REF: C-8SB  
REF: C-8SC  
REF: C-8SD  
REF: C-8SE  
REF: C-8SF  
REF: C-8SG  
REF: C-8SH  
REF: C-8SI  
REF: C-8SJ  
REF: C-8SK  
REF: C-8SL  
REF: C-8SM  
REF: C-8SN  
REF: C-8SO  
REF: C-8SP  
REF: C-8SQ  
REF: C-8SR  
REF: C-8SS  
REF: C-8ST  
REF: C-8SU  
REF: C-8SV  
REF: C-8SW  
REF: C-8SX  
REF: C-8SY  
REF: C-8SZ  
REF: C-8TA  
REF: C-8TB  
REF: C-8TC  
REF: C-8TD  
REF: C-8TE  
REF: C-8TF  
REF: C-8TG  
REF: C-8TH  
REF: C-8TI  
REF: C-8TJ  
REF: C-8TK  
REF: C-8TL  
REF: C-8TM  
REF: C-8TN  
REF: C-8TO  
REF: C-8TP  
REF: C-8TQ  
REF: C-8TR  
REF: C-8TS  
REF: C-8TT  
REF: C-8TU  
REF: C-8TV  
REF: C-8TW  
REF: C-8TX  
REF: C-8TY  
REF: C-8TZ  
REF: C-8UA  
REF: C-8UB  
REF: C-8UC  
REF: C-8UD  
REF: C-8UE  
REF: C-8UF  
REF: C-8UG  
REF: C-8UH  
REF: C-8UI  
REF: C-8UJ  
REF: C-8UK  
REF: C-8UL  
REF: C-8UM  
REF: C-8UN  
REF: C-8UO  
REF: C-8UP  
REF: C-8UQ  
REF: C-8UR  
REF: C-8US  
REF: C-8UT  
REF: C-8UU  
REF: C-8UV  
REF: C-8UW  
REF: C-8UX  
REF: C-8UY  
REF: C-8UZ  
REF: C-8VA  
REF: C-8VB  
REF: C-8VC  
REF: C-8VD  
REF: C-8VE  
REF: C-8VF  
REF: C-8VG  
REF: C-8VH  
REF: C-8VI  
REF: C-8VJ  
REF: C-8VK  
REF: C-8VL  
REF: C-8VM  
REF: C-8VN  
REF: C-8VO  
REF: C-8VP  
REF: C-8VQ  
REF: C-8VR  
REF: C-8VS  
REF: C-8VT  
REF: C-8VU  
REF: C-8VV  
REF: C-8VW  
REF: C-8VX  
REF: C-8VY  
REF: C-8VZ  
REF: C-8WA  
REF: C-8WB  
REF: C-8WC  
REF: C-8WD  
REF: C-8WE  
REF: C-8WF  
REF: C-8WG  
REF: C-8WH  
REF: C-8WI  
REF: C-8WJ  
REF: C-8WK  
REF: C-8WL  
REF: C-8WM  
REF: C-8WN  
REF: C-8WO  
REF: C-8WP  
REF: C-8WQ  
REF: C-8WR  
REF: C-8WS  
REF: C-8WT  
REF: C-8WU  
REF: C-8WV  
REF: C-8WW  
REF: C-8WX  
REF: C-8WY  
REF: C-8WZ  
REF: C-8XA  
REF: C-8XB  
REF: C-8XC  
REF: C-8XD  
REF: C-8XE  
REF: C-8XF  
REF: C-8XG  
REF: C-8XH  
REF: C-8XI  
REF: C-8XJ  
REF: C-8XK  
REF: C-8XL  
REF: C-8XM  
REF: C-8XN  
REF: C-8XO  
REF: C-8XP  
REF: C-8XQ  
REF: C-8XR  
REF: C-8XS  
REF: C-8XT  
REF: C-8XU  
REF: C-8XV  
REF: C-8XW  
REF: C-8XX  
REF: C-8XY  
REF: C-8XZ  
REF: C-8YA  
REF: C-8YB  
REF: C-8YC  
REF: C-8YD  
REF: C-8YE  
REF: C-8YF  
REF: C-8YG  
REF: C-8YH  
REF: C-8YI  
REF: C-8YJ  
REF: C-8YK  
REF: C-8YL  
REF: C-8YM  
REF: C-8YN  
REF: C-8YO  
REF: C-8YP  
REF: C-8YQ  
REF: C-8YR  
REF: C-8YS  
REF: C-8YT  
REF: C-8YU  
REF: C-8YV  
REF: C-8YW  
REF: C-8YX  
REF: C-8YY  
REF: C-8YZ  
REF: C-8ZA  
REF: C-8ZB  
REF: C-8ZC  
REF: C-8ZD  
REF: C-8ZE  
REF: C-8ZF  
REF: C-8ZG  
REF: C-8ZH  
REF: C-8ZI  
REF: C-8ZJ  
REF: C-8ZK  
REF: C-8ZL  
REF: C-8ZM  
REF: C-8ZN  
REF: C-8ZO  
REF: C-8ZP  
REF: C-8ZQ  
REF: C-8ZR  
REF: C-8ZS  
REF: C-8ZT  
REF: C-8ZU  
REF: C-8ZV  
REF: C-8ZW  
REF: C-8ZX  
REF: C-8ZY  
REF: C-8ZZ

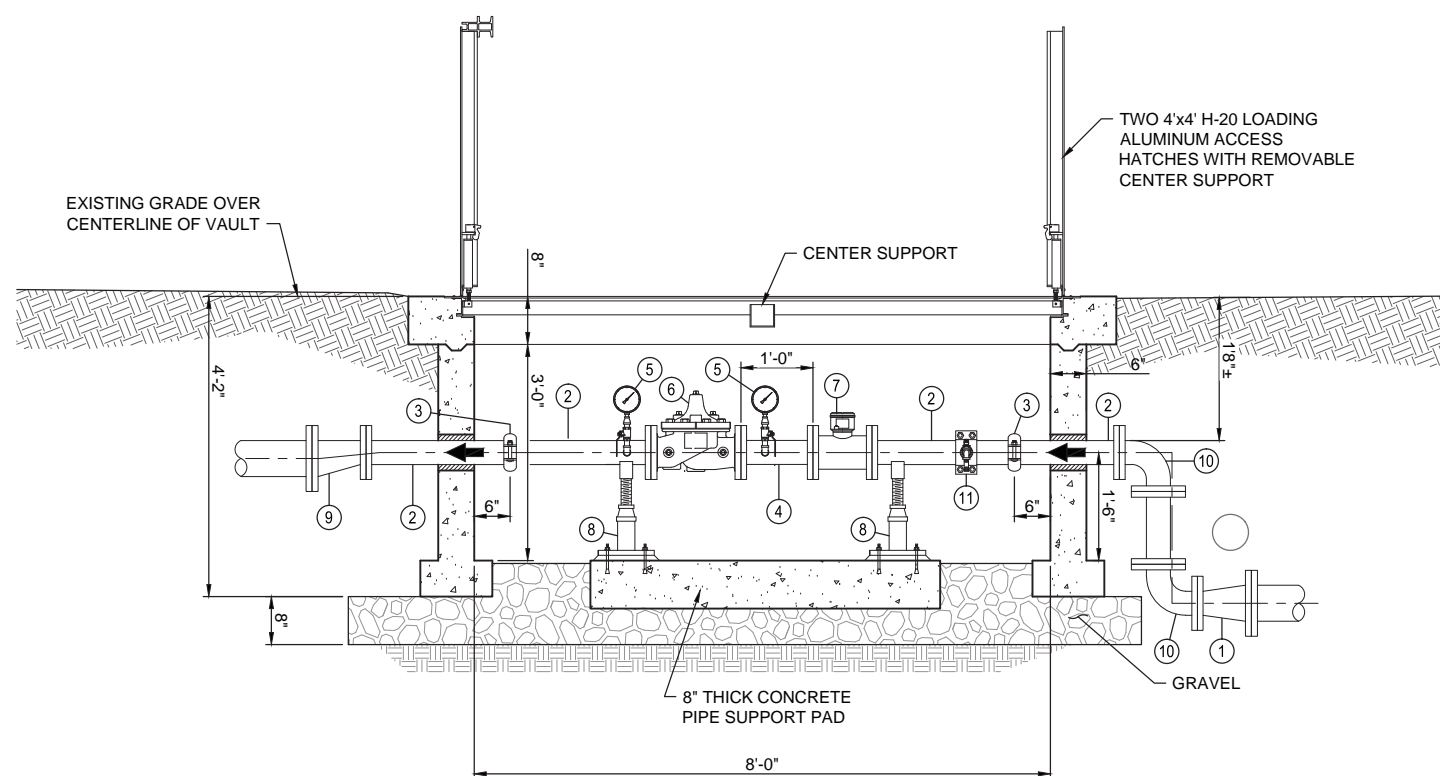


Know what's below.  
Call before you dig.



### VAULT - PLAN VIEW

SCALE: 3/4" = 1'-0"



### SECTION

SCALE: 3/4" = 1'-0"

### MATERIAL LIST

- ① 6"x4" D.I. REDUCER, FLGxFLG
- ② 4"Ø DUCTILE IRON SPOOL, FLGxGE
- ③ 4" GROOVED END COUPLING
- ④ 4"Ø DUCTILE IRON SPOOL, FLGxFLG
- ⑤ PRESSURE GAUGE
- ⑥ 4" FLOW CONTROL VALVE, FLGxFLG
- ⑦ 4" MAGNETIC FLOW METER, FLGxFLG
- ⑧ PIPE SUPPORT
- ⑨ 6"x4" D.I. ECCENTRIC REDUCER, FLGxFLG
- ⑩ 4" D.I. 90° ELBOW, FLGxFLG
- ⑪ MANUAL SAMPLE PORT

**FOR PRELIMINARY USE ONLY**

NOT TO BE USED FOR CONSTRUCTION

DATE: MAY 2018

**\*\*DRAFT PLANSET - NOT FOR CONSTRUCTION**

APPR	EXP DATE
DESCRIPTION	REG NUMBER
PROJECT ENGINEER	MICHAEL K. NUNLEY
DATE	C-61801
REV	

**mkn**  
WATER - WASTEWATER - REUSE  
P.O. BOX 1604  
ARROYO GRANDE, CA 93421 (805) 904-6530



Nipomo Community Services District  
NCSD-GSWC INTERCONNECTION  
TYPICAL SECTIONS

DESIGNED: RL
DETAILED: JPF
CHECKED: --
APPROVED: --
DATE: MAY 2018

0 1/2 1  
IF THIS BAR DOES NOT MEASURE 1" THEN DRAWING IS NOT TO FULL SCALE  
PROJECT NO. -  
**C-103**  
SHEET 3 OF X

PWS: H:\Projects\Nipomo\_CSD\NCSD-0917-098\_GSWC\_Infrastructure\_CIP\3D\_Engineering\3D CAD\Plumbing\C-103.dwg  
 DATE: May 08, 2018 11:24am  
 USER: Rod.apoc  
 PLOTS: REF-C-103  
 PAGES: REF-C-103  
 NCSD LOG: Transparent\_Copy.dwg  
 USER: Rod.apoc  
 GEOPLOT: REF-C-103.dwg

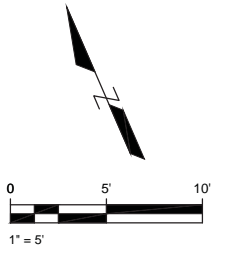
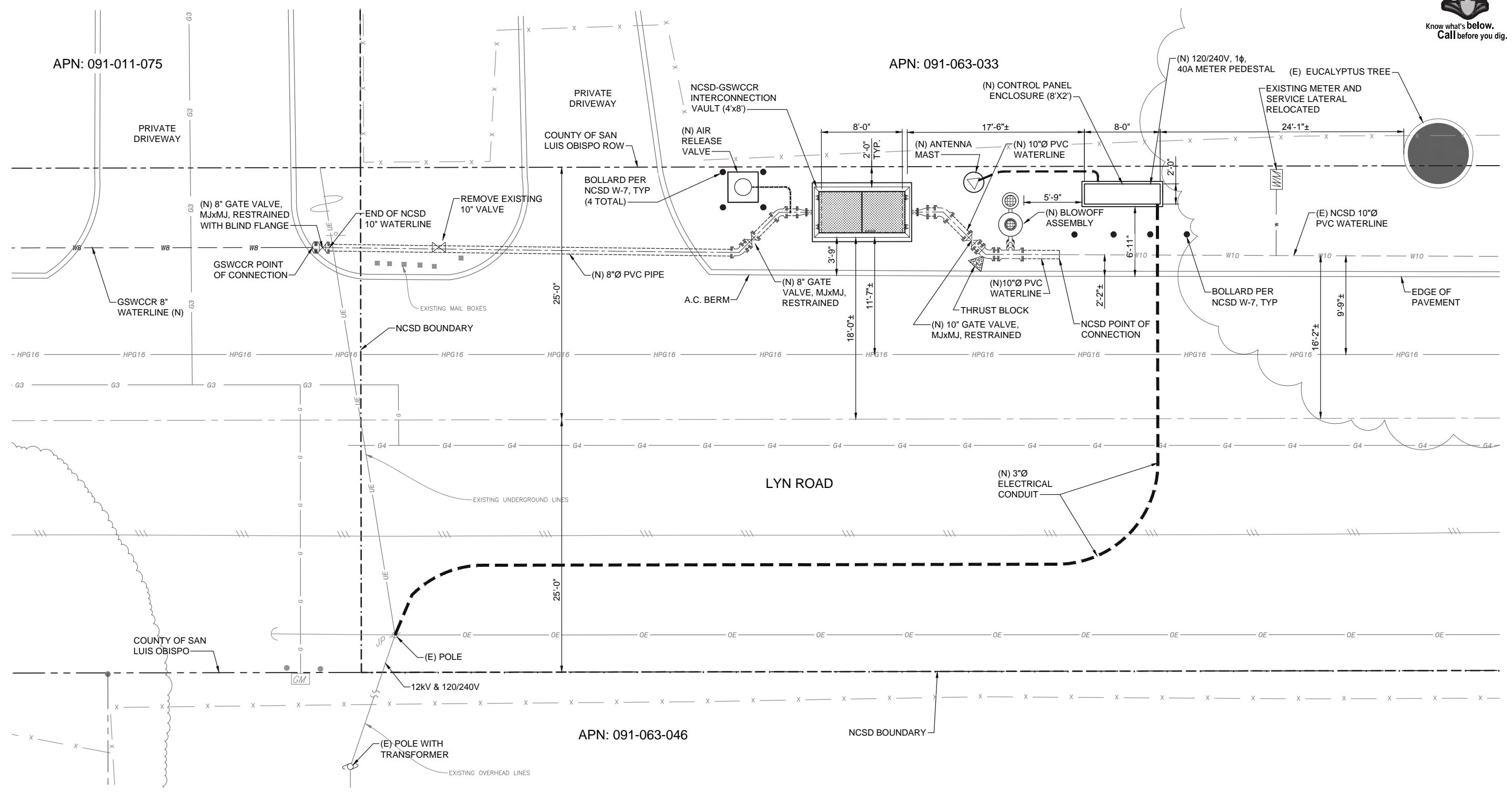




APN: 091-011-075

APN: 091-063-033

APN: 091-063-046



**SITE PLAN**  
SCALE: 1" = 5'

1

**FOR PRELIMINARY USE ONLY**  
NOT TO BE USED FOR CONSTRUCTION

DATE: MAY 2018  
**\*\*DRAFT PLANSET - NOT FOR CONSTRUCTION**

APPR	EXP DATE
DESCRIPTION	REG NUMBER
PROJECT ENGINEER	C-61801
DATE	MICHAEL K. NUNLEY
REV	

**mkn**  
WATER - WASTEWATER - REUSE  
P.O. BOX 1604  
ARROYO GRANDE, CA 93421 (805) 904-6530

Nipomo Community Services District  
**NCSWCCR INTERCONNECTION**

SITE PLAN

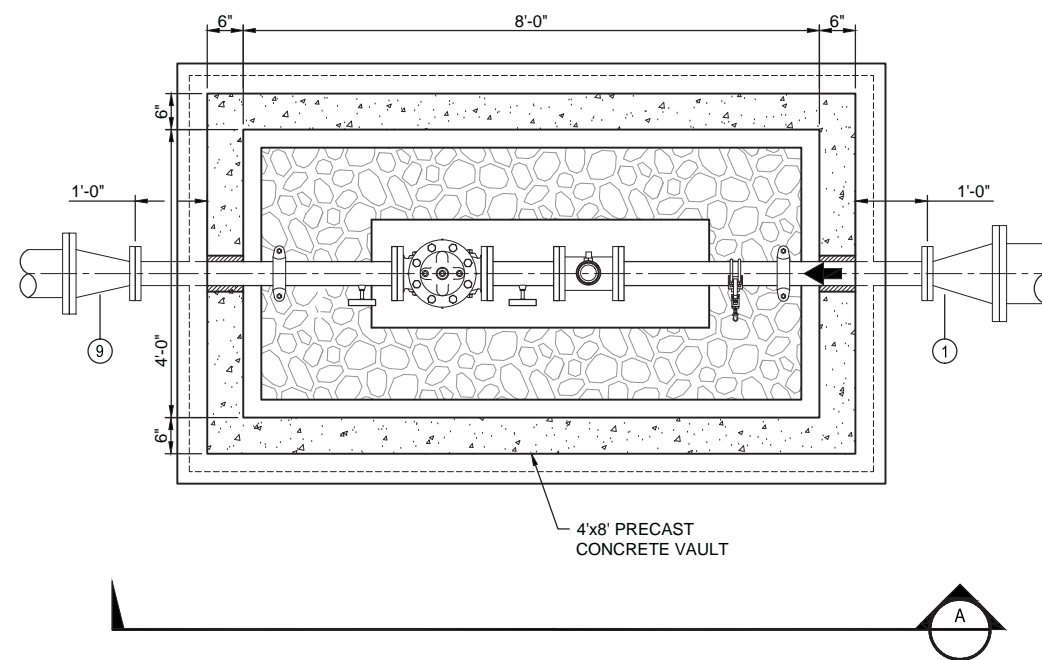
DESIGNED: RL
DETAILED: JPF
CHECKED: --
APPROVED:
DATE: MAY 2018
PROJECT NO.
C-102
SHEET
2 OF X

DWS: M:\Projects\Nipomo\GIS\NCSWCCR\0917\_0917\_GSWCCR\_1\Interconnect\_CDR\300\_Engineering\301\_CAD\PlanSet\10-105.dwg  
 DATE: May 10, 2018 1:34pm  
 USER: Rsk  
 MAGES: GE  
 REF: C-UP  
 REF: C-SV  
 REF: C-UB  
 REF: C-BA  
 REF: C-7A  
 REF: C-7B  
 REF: C-7C  
 REF: C-7D  
 REF: C-7E  
 REF: C-7F  
 REF: C-7G  
 REF: C-7H  
 REF: C-7I  
 REF: C-7J  
 REF: C-7K  
 REF: C-7L  
 REF: C-7M  
 REF: C-7N  
 REF: C-7O  
 REF: C-7P  
 REF: C-7Q  
 REF: C-7R  
 REF: C-7S  
 REF: C-7T  
 REF: C-7U  
 REF: C-7V  
 REF: C-7W  
 REF: C-7X  
 REF: C-7Y  
 REF: C-7Z  
 REF: C-7AA  
 REF: C-7AB  
 REF: C-7AC  
 REF: C-7AD  
 REF: C-7AE  
 REF: C-7AF  
 REF: C-7AG  
 REF: C-7AH  
 REF: C-7AI  
 REF: C-7AJ  
 REF: C-7AK  
 REF: C-7AL  
 REF: C-7AM  
 REF: C-7AN  
 REF: C-7AO  
 REF: C-7AP  
 REF: C-7AQ  
 REF: C-7AR  
 REF: C-7AS  
 REF: C-7AT  
 REF: C-7AU  
 REF: C-7AV  
 REF: C-7AW  
 REF: C-7AX  
 REF: C-7AY  
 REF: C-7AZ  
 REF: C-7BA  
 REF: C-7BB  
 REF: C-7BC  
 REF: C-7BD  
 REF: C-7BE  
 REF: C-7BF  
 REF: C-7BG  
 REF: C-7BH  
 REF: C-7BI  
 REF: C-7BJ  
 REF: C-7BK  
 REF: C-7BL  
 REF: C-7BM  
 REF: C-7BN  
 REF: C-7BO  
 REF: C-7BP  
 REF: C-7BQ  
 REF: C-7BR  
 REF: C-7BS  
 REF: C-7BT  
 REF: C-7BU  
 REF: C-7BV  
 REF: C-7BW  
 REF: C-7BX  
 REF: C-7BY  
 REF: C-7BZ  
 REF: C-7CA  
 REF: C-7CB  
 REF: C-7CC  
 REF: C-7CD  
 REF: C-7CE  
 REF: C-7CF  
 REF: C-7CG  
 REF: C-7CH  
 REF: C-7CI  
 REF: C-7CJ  
 REF: C-7CK  
 REF: C-7CL  
 REF: C-7CM  
 REF: C-7CN  
 REF: C-7CO  
 REF: C-7CP  
 REF: C-7CQ  
 REF: C-7CR  
 REF: C-7CS  
 REF: C-7CT  
 REF: C-7CU  
 REF: C-7CV  
 REF: C-7CW  
 REF: C-7CX  
 REF: C-7CY  
 REF: C-7CZ  
 REF: C-7DA  
 REF: C-7DB  
 REF: C-7DC  
 REF: C-7DD  
 REF: C-7DE  
 REF: C-7DF  
 REF: C-7DG  
 REF: C-7DH  
 REF: C-7DI  
 REF: C-7DJ  
 REF: C-7DK  
 REF: C-7DL  
 REF: C-7DM  
 REF: C-7DN  
 REF: C-7DO  
 REF: C-7DP  
 REF: C-7DQ  
 REF: C-7DR  
 REF: C-7DS  
 REF: C-7DT  
 REF: C-7DU  
 REF: C-7DV  
 REF: C-7DW  
 REF: C-7DX  
 REF: C-7DY  
 REF: C-7DZ  
 REF: C-7EA  
 REF: C-7EB  
 REF: C-7EC  
 REF: C-7ED  
 REF: C-7EE  
 REF: C-7EF  
 REF: C-7EG  
 REF: C-7EH  
 REF: C-7EI  
 REF: C-7EJ  
 REF: C-7EK  
 REF: C-7EL  
 REF: C-7EM  
 REF: C-7EN  
 REF: C-7EO  
 REF: C-7EP  
 REF: C-7EQ  
 REF: C-7ER  
 REF: C-7ES  
 REF: C-7ET  
 REF: C-7EU  
 REF: C-7EV  
 REF: C-7EW  
 REF: C-7EX  
 REF: C-7EY  
 REF: C-7EZ  
 REF: C-7FA  
 REF: C-7FB  
 REF: C-7FC  
 REF: C-7FD  
 REF: C-7FE  
 REF: C-7FF  
 REF: C-7FG  
 REF: C-7FH  
 REF: C-7FI  
 REF: C-7FJ  
 REF: C-7FK  
 REF: C-7FL  
 REF: C-7FM  
 REF: C-7FN  
 REF: C-7FO  
 REF: C-7FP  
 REF: C-7FQ  
 REF: C-7FR  
 REF: C-7FS  
 REF: C-7FT  
 REF: C-7FU  
 REF: C-7FV  
 REF: C-7FW  
 REF: C-7FX  
 REF: C-7FY  
 REF: C-7FZ  
 REF: C-7GA  
 REF: C-7GB  
 REF: C-7GC  
 REF: C-7GD  
 REF: C-7GE  
 REF: C-7GF  
 REF: C-7GG  
 REF: C-7GH  
 REF: C-7GI  
 REF: C-7GJ  
 REF: C-7GK  
 REF: C-7GL  
 REF: C-7GM  
 REF: C-7GN  
 REF: C-7GO  
 REF: C-7GP  
 REF: C-7GQ  
 REF: C-7GR  
 REF: C-7GS  
 REF: C-7GT  
 REF: C-7GU  
 REF: C-7GV  
 REF: C-7GW  
 REF: C-7GX  
 REF: C-7GY  
 REF: C-7GZ  
 REF: C-7HA  
 REF: C-7HB  
 REF: C-7HC  
 REF: C-7HD  
 REF: C-7HE  
 REF: C-7HF  
 REF: C-7HG  
 REF: C-7HH  
 REF: C-7HI  
 REF: C-7HJ  
 REF: C-7HK  
 REF: C-7HL  
 REF: C-7HM  
 REF: C-7HN  
 REF: C-7HO  
 REF: C-7HP  
 REF: C-7HQ  
 REF: C-7HR  
 REF: C-7HS  
 REF: C-7HT  
 REF: C-7HU  
 REF: C-7HV  
 REF: C-7HW  
 REF: C-7HX  
 REF: C-7HY  
 REF: C-7HZ  
 REF: C-7IA  
 REF: C-7IB  
 REF: C-7IC  
 REF: C-7ID  
 REF: C-7IE  
 REF: C-7IF  
 REF: C-7IG  
 REF: C-7IH  
 REF: C-7II  
 REF: C-7IJ  
 REF: C-7IK  
 REF: C-7IL  
 REF: C-7IM  
 REF: C-7IN  
 REF: C-7IO  
 REF: C-7IP  
 REF: C-7IQ  
 REF: C-7IR  
 REF: C-7IS  
 REF: C-7IT  
 REF: C-7IU  
 REF: C-7IV  
 REF: C-7IW  
 REF: C-7IX  
 REF: C-7IY  
 REF: C-7IZ  
 REF: C-7JA  
 REF: C-7JB  
 REF: C-7JC  
 REF: C-7JD  
 REF: C-7JE  
 REF: C-7JF  
 REF: C-7JG  
 REF: C-7JH  
 REF: C-7JI  
 REF: C-7JJ  
 REF: C-7JK  
 REF: C-7JL  
 REF: C-7JM  
 REF: C-7JN  
 REF: C-7JO  
 REF: C-7JP  
 REF: C-7JQ  
 REF: C-7JR  
 REF: C-7JS  
 REF: C-7JT  
 REF: C-7JU  
 REF: C-7JV  
 REF: C-7JW  
 REF: C-7JX  
 REF: C-7JY  
 REF: C-7JZ  
 REF: C-7KA  
 REF: C-7KB  
 REF: C-7KC  
 REF: C-7KD  
 REF: C-7KE  
 REF: C-7KF  
 REF: C-7KG  
 REF: C-7KH  
 REF: C-7KI  
 REF: C-7KJ  
 REF: C-7KK  
 REF: C-7KL  
 REF: C-7KM  
 REF: C-7KN  
 REF: C-7KO  
 REF: C-7KP  
 REF: C-7KQ  
 REF: C-7KR  
 REF: C-7KS  
 REF: C-7KT  
 REF: C-7KU  
 REF: C-7KV  
 REF: C-7KW  
 REF: C-7KX  
 REF: C-7KY  
 REF: C-7KZ  
 REF: C-7LA  
 REF: C-7LB  
 REF: C-7LC  
 REF: C-7LD  
 REF: C-7LE  
 REF: C-7LF  
 REF: C-7LG  
 REF: C-7LH  
 REF: C-7LI  
 REF: C-7LJ  
 REF: C-7LK  
 REF: C-7LL  
 REF: C-7LM  
 REF: C-7LN  
 REF: C-7LO  
 REF: C-7LP  
 REF: C-7LQ  
 REF: C-7LR  
 REF: C-7LS  
 REF: C-7LT  
 REF: C-7LU  
 REF: C-7LV  
 REF: C-7LW  
 REF: C-7LX  
 REF: C-7LY  
 REF: C-7LZ  
 REF: C-7MA  
 REF: C-7MB  
 REF: C-7MC  
 REF: C-7MD  
 REF: C-7ME  
 REF: C-7MF  
 REF: C-7MG  
 REF: C-7MH  
 REF: C-7MI  
 REF: C-7MJ  
 REF: C-7MK  
 REF: C-7ML  
 REF: C-7MN  
 REF: C-7MO  
 REF: C-7MP  
 REF: C-7MQ  
 REF: C-7MR  
 REF: C-7MS  
 REF: C-7MT  
 REF: C-7MU  
 REF: C-7MV  
 REF: C-7MW  
 REF: C-7MX  
 REF: C-7MY  
 REF: C-7MZ  
 REF: C-7NA  
 REF: C-7NB  
 REF: C-7NC  
 REF: C-7ND  
 REF: C-7NE  
 REF: C-7NF  
 REF: C-7NG  
 REF: C-7NH  
 REF: C-7NI  
 REF: C-7NJ  
 REF: C-7NK  
 REF: C-7NL  
 REF: C-7NM  
 REF: C-7NN  
 REF: C-7NO  
 REF: C-7NP  
 REF: C-7NQ  
 REF: C-7NR  
 REF: C-7NS  
 REF: C-7NT  
 REF: C-7NU  
 REF: C-7NV  
 REF: C-7NW  
 REF: C-7NX  
 REF: C-7NY  
 REF: C-7NZ  
 REF: C-7OA  
 REF: C-7OB  
 REF: C-7OC  
 REF: C-7OD  
 REF: C-7OE  
 REF: C-7OF  
 REF: C-7OG  
 REF: C-7OH  
 REF: C-7OI  
 REF: C-7OJ  
 REF: C-7OK  
 REF: C-7OL  
 REF: C-7OM  
 REF: C-7ON  
 REF: C-7OO  
 REF: C-7OP  
 REF: C-7OQ  
 REF: C-7OR  
 REF: C-7OS  
 REF: C-7OT  
 REF: C-7OU  
 REF: C-7OV  
 REF: C-7OW  
 REF: C-7OX  
 REF: C-7OY  
 REF: C-7OZ  
 REF: C-7PA  
 REF: C-7PB  
 REF: C-7PC  
 REF: C-7PD  
 REF: C-7PE  
 REF: C-7PF  
 REF: C-7PG  
 REF: C-7PH  
 REF: C-7PI  
 REF: C-7PJ  
 REF: C-7PK  
 REF: C-7PL  
 REF: C-7PM  
 REF: C-7PN  
 REF: C-7PO  
 REF: C-7PP  
 REF: C-7PQ  
 REF: C-7PR  
 REF: C-7PS  
 REF: C-7PT  
 REF: C-7PU  
 REF: C-7PV  
 REF: C-7PW  
 REF: C-7PX  
 REF: C-7PY  
 REF: C-7PZ  
 REF: C-7QA  
 REF: C-7QB  
 REF: C-7QC  
 REF: C-7QD  
 REF: C-7QE  
 REF: C-7QF  
 REF: C-7QG  
 REF: C-7QH  
 REF: C-7QI  
 REF: C-7QJ  
 REF: C-7QK  
 REF: C-7QL  
 REF: C-7QM  
 REF: C-7QN  
 REF: C-7QO  
 REF: C-7QP  
 REF: C-7QQ  
 REF: C-7QR  
 REF: C-7QS  
 REF: C-7QT  
 REF: C-7QU  
 REF: C-7QV  
 REF: C-7QW  
 REF: C-7QX  
 REF: C-7QY  
 REF: C-7QZ  
 REF: C-7RA  
 REF: C-7RB  
 REF: C-7RC  
 REF: C-7RD  
 REF: C-7RE  
 REF: C-7RF  
 REF: C-7RG  
 REF: C-7RH  
 REF: C-7RI  
 REF: C-7RJ  
 REF: C-7RK  
 REF: C-7RL  
 REF: C-7RM  
 REF: C-7RN  
 REF: C-7RO  
 REF: C-7RP  
 REF: C-7RQ  
 REF: C-7RR  
 REF: C-7RS  
 REF: C-7RT  
 REF: C-7RU  
 REF: C-7RV  
 REF: C-7RW  
 REF: C-7RX  
 REF: C-7RY  
 REF: C-7RZ  
 REF: C-7SA  
 REF: C-7SB  
 REF: C-7SC  
 REF: C-7SD  
 REF: C-7SE  
 REF: C-7SF  
 REF: C-7SG  
 REF: C-7SH  
 REF: C-7SI  
 REF: C-7SJ  
 REF: C-7SK  
 REF: C-7SL  
 REF: C-7SM  
 REF: C-7SN  
 REF: C-7SO  
 REF: C-7SP  
 REF: C-7SQ  
 REF: C-7SR  
 REF: C-7SS  
 REF: C-7ST  
 REF: C-7SU  
 REF: C-7SV  
 REF: C-7SW  
 REF: C-7SX  
 REF: C-7SY  
 REF: C-7SZ  
 REF: C-7TA  
 REF: C-7TB  
 REF: C-7TC  
 REF: C-7TD  
 REF: C-7TE  
 REF: C-7TF  
 REF: C-7TG  
 REF: C-7TH  
 REF: C-7TI  
 REF: C-7TJ  
 REF: C-7TK  
 REF: C-7TL  
 REF: C-7TM  
 REF: C-7TN  
 REF: C-7TO  
 REF: C-7TP  
 REF: C-7TQ  
 REF: C-7TR  
 REF: C-7TS  
 REF: C-7TT  
 REF: C-7TU  
 REF: C-7TV  
 REF: C-7TW  
 REF: C-7TX  
 REF: C-7TY  
 REF: C-7TZ  
 REF: C-7UA  
 REF: C-7UB  
 REF: C-7UC  
 REF: C-7UD  
 REF: C-7UE  
 REF: C-7UF  
 REF: C-7UG  
 REF: C-7UH  
 REF: C-7UI  
 REF: C-7UJ  
 REF: C-7UK  
 REF: C-7UL  
 REF: C-7UM  
 REF: C-7UN  
 REF: C-7UO  
 REF: C-7UP  
 REF: C-7UQ  
 REF: C-7UR  
 REF: C-7US  
 REF: C-7UT  
 REF: C-7UU  
 REF: C-7UV  
 REF: C-7UW  
 REF: C-7UX  
 REF: C-7UY  
 REF: C-7UZ  
 REF: C-7VA  
 REF: C-7VB  
 REF: C-7VC  
 REF: C-7VD  
 REF: C-7VE  
 REF: C-7VF  
 REF: C-7VG  
 REF: C-7VH  
 REF: C-7VI  
 REF: C-7VJ  
 REF: C-7VK  
 REF: C-7VL  
 REF: C-7VM  
 REF: C-7VN  
 REF: C-7VO  
 REF: C-7VP  
 REF: C-7VQ  
 REF: C-7VR  
 REF: C-7VS  
 REF: C-7VT  
 REF: C-7VU  
 REF: C-7VV  
 REF: C-7VW  
 REF: C-7VX  
 REF: C-7VY  
 REF: C-7VZ  
 REF: C-7WA  
 REF: C-7WB  
 REF: C-7WC  
 REF: C-7WD  
 REF: C-7WE  
 REF: C-7WF  
 REF: C-7WG  
 REF: C-7WH  
 REF: C-7WI  
 REF: C-7WJ  
 REF: C-7WK  
 REF: C-7WL  
 REF: C-7WM  
 REF: C-7WN  
 REF: C-7WO  
 REF: C-7WP  
 REF: C-7WQ  
 REF: C-7WR  
 REF: C-7WS  
 REF: C-7WT  
 REF: C-7WU  
 REF: C-7WV  
 REF: C-7WW  
 REF: C-7WX  
 REF: C-7WY  
 REF: C-7WZ  
 REF: C-7XA  
 REF: C-7XB  
 REF: C-7XC  
 REF: C-7XD  
 REF: C-7XE  
 REF: C-7XF  
 REF: C-7XG  
 REF: C-7XH  
 REF: C-7XI  
 REF: C-7XJ  
 REF: C-7XK  
 REF: C-7XL  
 REF: C-7XM  
 REF: C-7XN  
 REF: C-7XO  
 REF: C-7XP  
 REF: C-7XQ  
 REF: C-7XR  
 REF: C-7XS  
 REF: C-7XT  
 REF: C-7XU  
 REF: C-7XV  
 REF: C-7XW  
 REF: C-7XX  
 REF: C-7XY  
 REF: C-7XZ  
 REF: C-7YA  
 REF: C-7YB  
 REF: C-7YC  
 REF: C-7YD  
 REF: C-7YE  
 REF: C-7YF  
 REF: C-7YG  
 REF: C-7YH  
 REF: C-7YI  
 REF: C-7YJ  
 REF: C-7YK  
 REF: C-7YL  
 REF: C-7YM  
 REF: C-7YN  
 REF: C-7YO  
 REF: C-7YP  
 REF: C-7YQ  
 REF: C-7YR  
 REF: C-7YS  
 REF: C-7YT  
 REF: C-7YU  
 REF: C-7YV  
 REF: C-7YW  
 REF: C-7YX  
 REF: C-7YY  
 REF: C-7YZ  
 REF: C-7ZA  
 REF: C-7ZB  
 REF: C-7ZC  
 REF: C-7ZD  
 REF: C-7ZE  
 REF: C-7ZF  
 REF: C-7ZG  
 REF: C-7ZH  
 REF: C-7ZI  
 REF: C-7ZJ  
 REF: C-7ZK  
 REF: C-7ZL  
 REF: C-7ZM  
 REF: C-7ZN  
 REF: C-7ZO  
 REF: C-7ZP  
 REF: C-7ZQ  
 REF: C-7ZR  
 REF: C-7ZS  
 REF: C-7ZT  
 REF: C-7ZU  
 REF: C-7ZV  
 REF: C-7ZW  
 REF: C-7ZX  
 REF: C-7ZY  
 REF: C-7ZZ



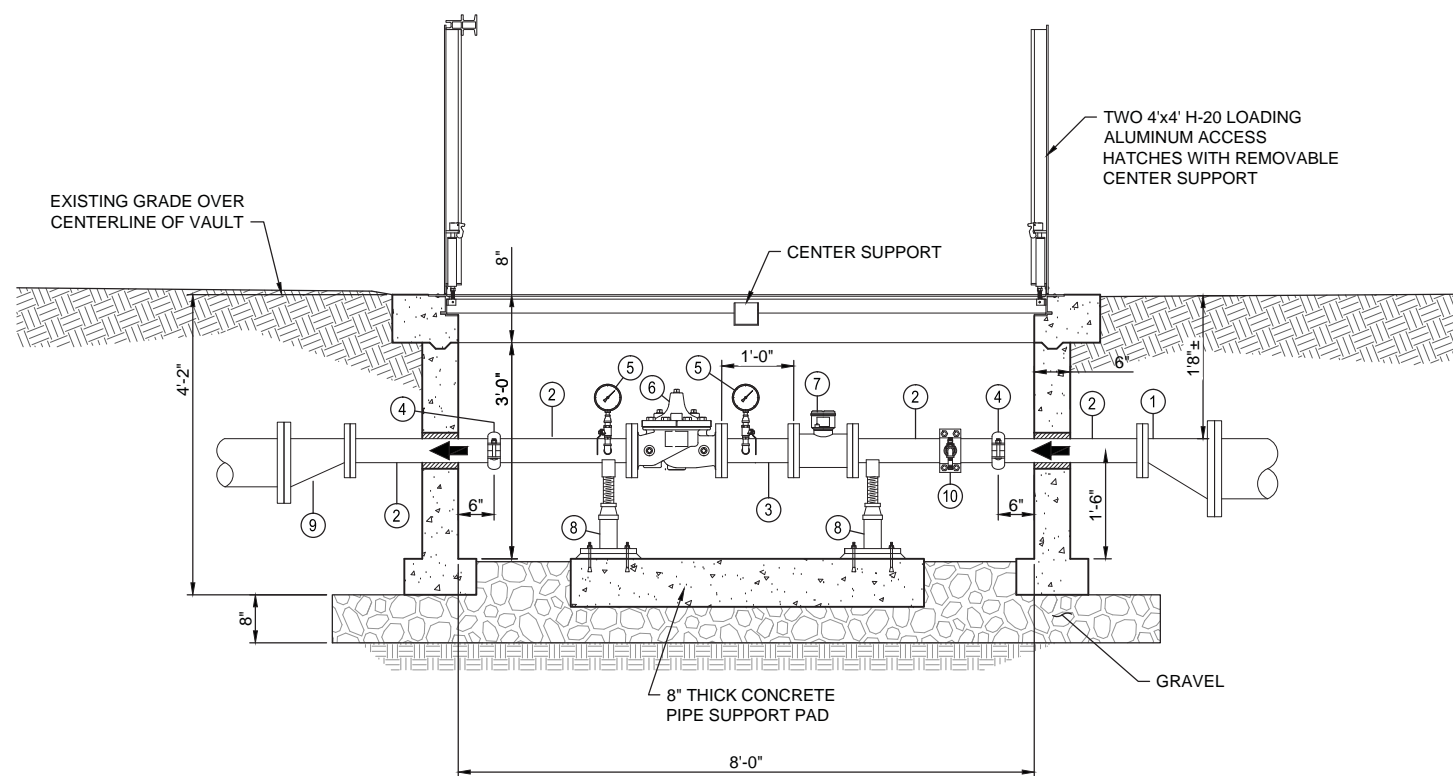


Know what's below.  
Call before you dig.



### VAULT - PLAN VIEW

SCALE: 3/4" = 1'-0"



### SECTION

SCALE: 3/4" = 1'-0"



### MATERIAL LIST

- ① 10"x4" D.I. ECCENTRIC REDUCER, FLGxFLG
- ② 4"Ø DUCTILE IRON SPOOL, FLGxGE
- ③ 4"Ø DUCTILE IRON SPOOL, FLGxFLG
- ④ 4" GROOVED END COUPLING
- ⑤ PRESSURE GAUGE
- ⑥ 4" FLOW CONTROL VALVE, FLGxFLG
- ⑦ 4" MAGNETIC FLOW METER, FLGxFLG
- ⑧ PIPE SUPPORT
- ⑨ 8"x4" D.I. ECCENTRIC REDUCER, FLGxFLG
- ⑩ MANUAL SAMPLE PORT

**FOR PRELIMINARY USE ONLY**

NOT TO BE USED FOR CONSTRUCTION

DATE: MAY 2018

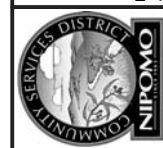
**\*\*DRAFT PLANSET - NOT FOR CONSTRUCTION**

PWS: M:\Projects\Nipomo\_CSD\NCS-6530-0017\_007\_GSWCCR\_Improvement\_CDR\300\_Engineering\301\_CAD\Plumbing\103.dwg USER: R01ucapone  
 DATE: May 08, 2018 11:25am REF: CP-1D IMACS: 100x100.plt NCSD: LCOG-Transparent\_L\_Proyect\_Cadmill.plt  
 AREAS: REF: CP-BB

REV	DATE	DESCRIPTION	REG NUMBER	APPR	EXP DATE
1					

PROJECT ENGINEER  
MICHAEL K. NUNLEY  
C-61801

**mkn**  
WATER - WASTEWATER - REUSE  
P.O. BOX 1604  
ARROYO GRANDE, CA 93421 (805) 904-6530

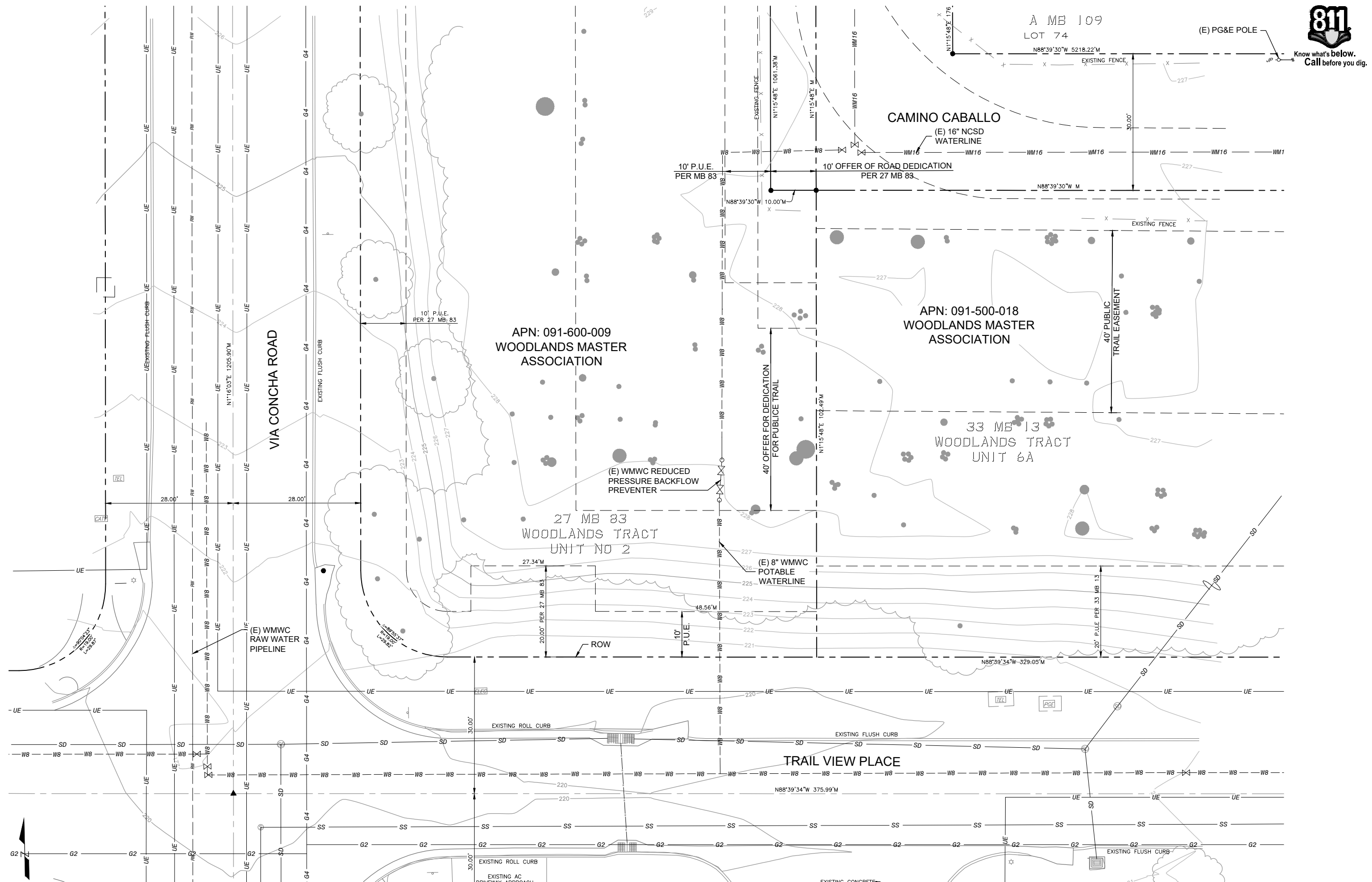


Nipomo Community Services District  
NCSD-GSWCCR INTERCONNECTION  
TYPICAL SECTIONS

DESIGNED: RL
DETAILED: JPF
CHECKED: --
APPROVED:
DATE: MAY 2018

PROJECT NO.  
C-103  
SHEET  
3 OF X

DWS: \\MKN\GIS\Projects\Nipomo\GIS\NCS-2017-009\WMWC\Interconnect\CDR\300\WMWC\Interconnect\CDR\300\Plan\Sheet\011.dwg  
 DATE: May 03, 2018 2:53pm  
 AREA: REF-C-BM  
 REF-C-BM  
 REF-C-SH  
 REF-C-SD  
 REF-C-SE  
 REF-C-TU  
 REF-C-UE  
 REF-C-WB  
 REF-C-WM  
 REF-C-WP  
 REF-C-YU  
 USER: jmf  
 IMAGES: aerial.jpg  
 GE: AERIAL.tif  
 V8: Concha.tif  
 1conch.tif  
 NCSD\_LOGO-transparent\_groyscale\_small.jpg



**EXISTING SITE PLAN**  
SCALE: 1" = 10'

1

**FOR PRELIMINARY USE ONLY**  
NOT TO BE USED FOR CONSTRUCTION

DATE: MAY 2018  
**\*\*DRAFT PLANSET - NOT FOR CONSTRUCTION**



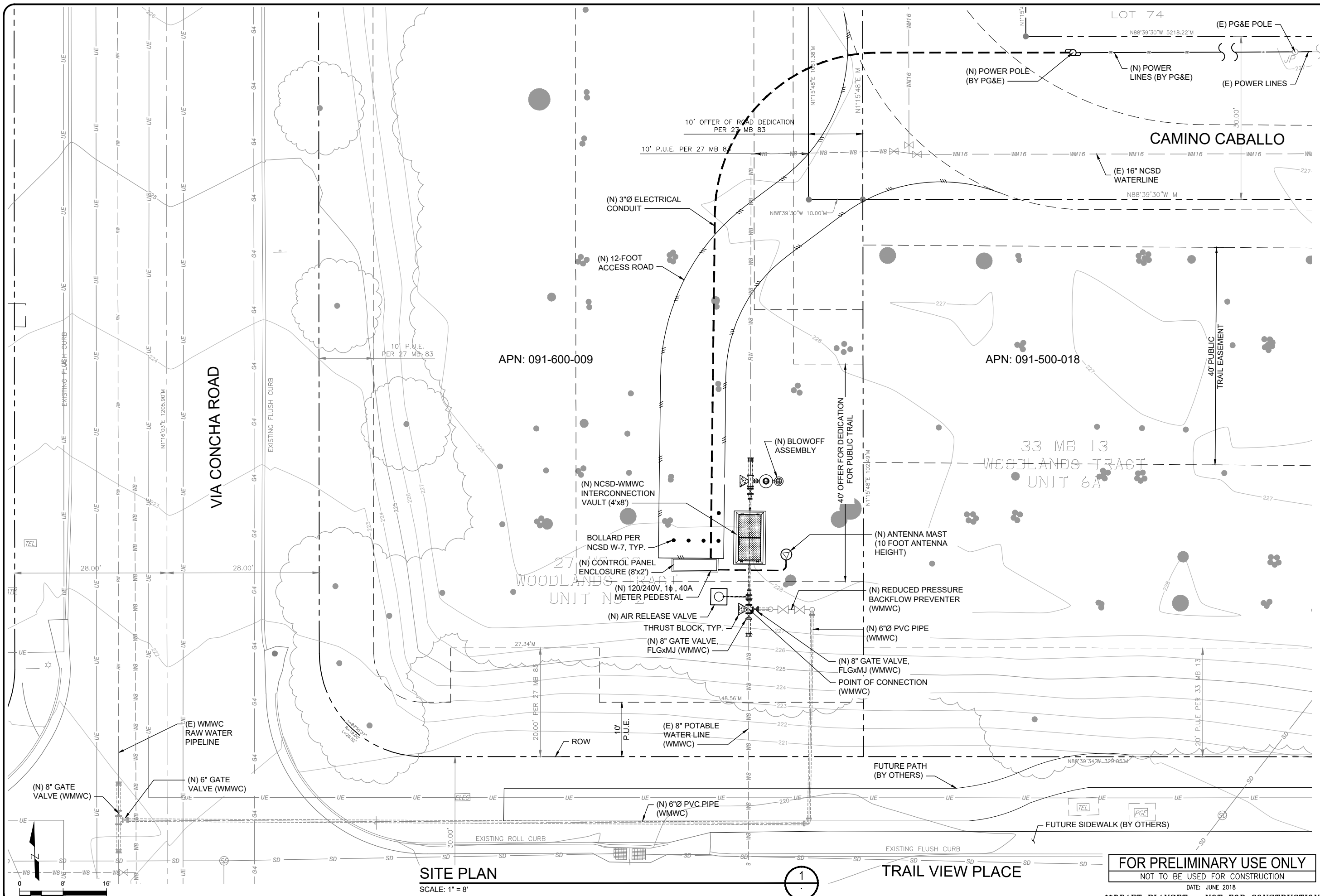
APPR	EXP DATE
DESCRIPTION	REG NUMBER
	C61801
PROJECT ENGINEER	MICHAEL K. NUNLEY

**mkn**  
WATER - WASTEWATER - REUSE  
P.O. BOX 1604  
ARROYO GRANDE, CA 93421 (805) 904-6530

Nipomo Community Services District  
NCSD-WMWC INTERCONNECTION  
SITE SURVEY AND  
EXISTING UTILITIES

DESIGNED: RAL
DETAILED: JPF
CHECKED: ---
APPROVED: ---
DATE: MAY 2018
PROJECT NO. ---
C-101 SHEET 1 OF X

\\MKN\CA\Projects\Nipomo\2017-09\WMWC Interconnection\DWG\2017-09-08\WMWC Interconnection\_DWG\_2017-09-08.dwg  
DATE: Jun 19, 2018 8:08am  
USER: jpf  
PROJECT: NIPOMO COMMUNITY SERVICES DISTRICT  
SHEET: C-102  
SCALE: 1" = 8'  
DATE: JUN 19, 2018 8:08am  
PROJECT: NIPOMO COMMUNITY SERVICES DISTRICT  
SHEET: C-102  
SCALE: 1" = 8'



**SITE PLAN**

SCALE: 1" = 8'

**TRAIL VIEW PLACE**

**FOR PRELIMINARY USE ONLY**  
NOT TO BE USED FOR CONSTRUCTION

DATE: JUNE 2018  
\*\*DRAFT PLANSET - NOT FOR CONSTRUCTION

APR	EXP. DATE
DESCRIPTION	REG. NUMBER
PROJECT ENGINEER	C61801
DATE	
REV	
MICHAEL K. NUNLEY	

<b>mkn</b>	WATER - WASTEWATER - REUSE
P.O. BOX 1604	
ARROYO GRANDE, CA 93421	
(805) 904-6530	

<b>NIPOMO</b>	COMMUNITY SERVICES DISTRICT
---------------	-----------------------------

Nipomo Community Services District  
NCS-D-WMWC INTERCONNECTION

**SITE PLAN**

DESIGNED: RAL
DETAILED: JPF
CHECKED: ---
APPROVED: ---
DATE: JUNE 2018

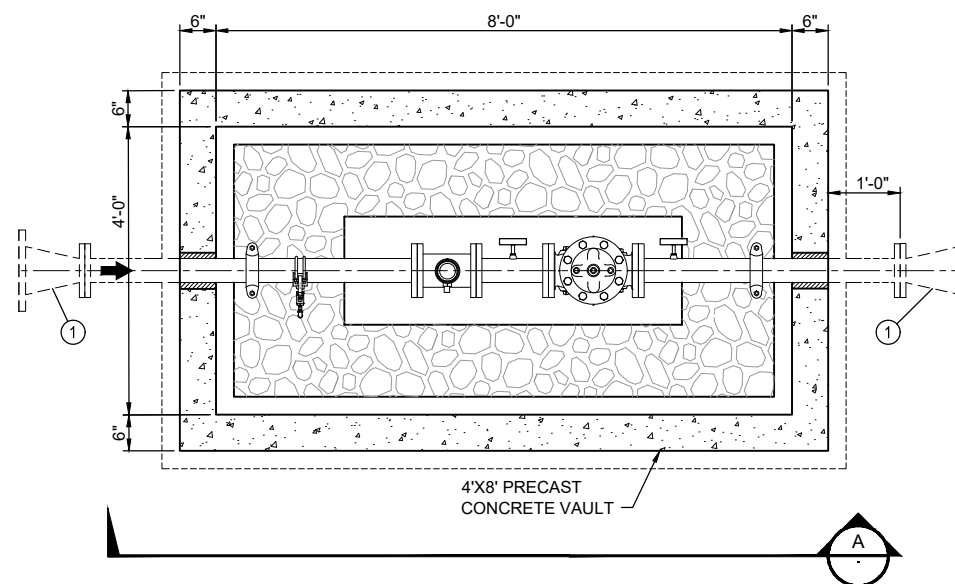
0 1/2 1  
IF THIS BAR DOES NOT MEASURE 1" THEN DRAWING IS NOT TO FULL SCALE

PROJECT NO. C-102  
SHEET 2 OF X



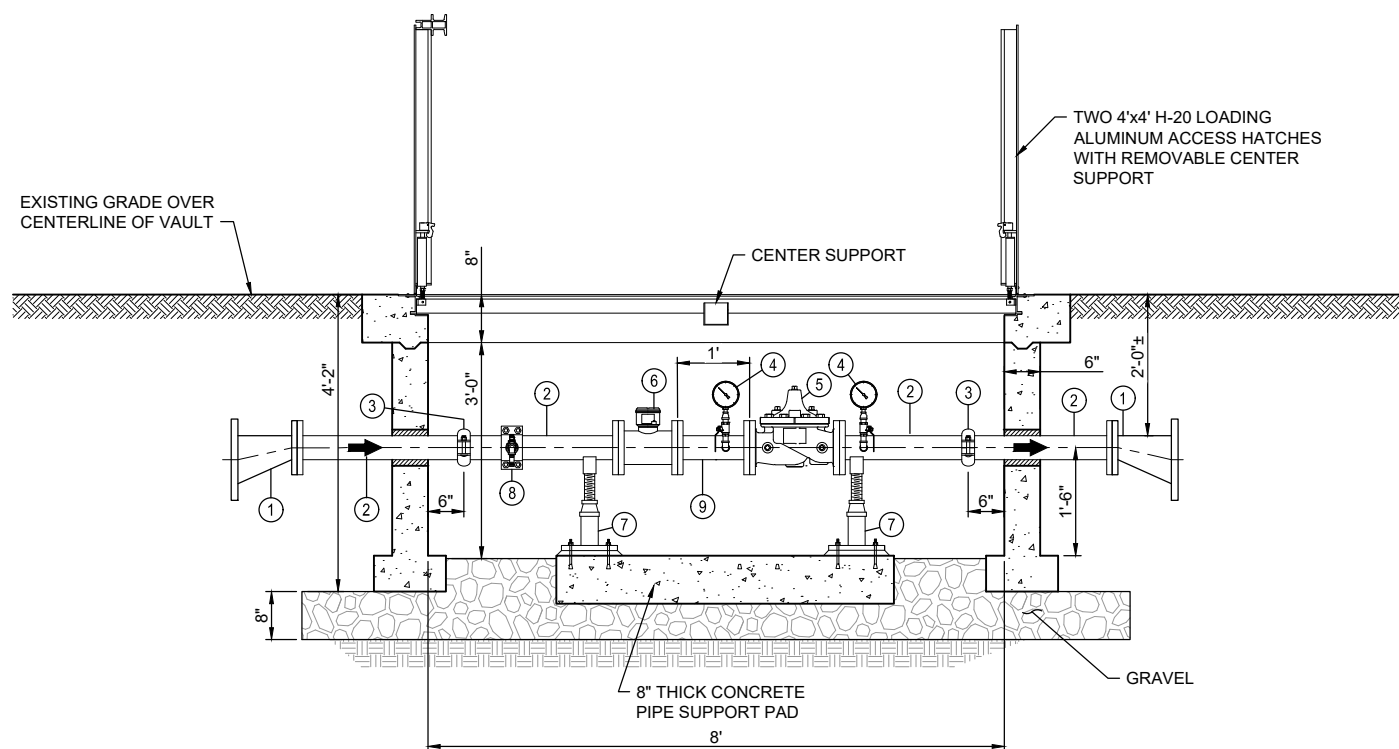


Know what's below.  
Call before you dig.



### VAULT - PLAN VIEW

SCALE: 3/4" = 1'-0"



### SECTION

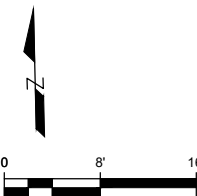
SCALE: 3/4" = 1'-0"



### MATERIAL LIST

- ① 8"x4" D.I. ECCENTRIC REDUCER, FLGxFLG
- ② 4"Ø DUCTILE IRON SPOOL, FLGxGE
- ③ 4" GROOVED END COUPLING
- ④ PRESSURE GAUGE
- ⑤ 4" FLOW CONTROL VALVE, FLGxFLG
- ⑥ 4" MAGNETIC FLOW METER, FLGxFLG
- ⑦ PIPE SUPPORT
- ⑧ MANUAL SAMPLE PORT
- ⑨ 4"Ø DUCTILE IRON SPOOL, FLGxFLG

DWG: \\MKN\Company\Projects\Nipomo\CSN\NCS\2017-069\NWC\Interconnect\GDA\300\_Engineering\01\_010\Drawings\C-103.dwg USER: jhmf  
 DATE: Jun 15, 2018 8:58am AREA: REF-C-1P REF-C-BB IMAGES: 1000dpi.plt NCSD LOGO: Transparent\Project\Csmall.plt



REV	DATE	DESCRIPTION	APPR
A			
B			
C			

PROJECT ENGINEER  
MICHAEL K. NUNLEY

**mkn**  
 WATER - WASTEWATER - REUSE  
 P.O. BOX 1604  
 ARROYO GRANDE, CA 93421 (805) 904-6530



Nipomo Community Services District  
 NCSD-WMWC INTERCONNECTION  
 TYPICAL SECTIONS

DESIGNED: RAL
DETAILED: JPF
CHECKED: ---
APPROVED: ---
DATE: JUNE 2018

PROJECT NO. -  
**C-103**  
 SHEET  
 3 OF X

**FOR PRELIMINARY USE ONLY**  
 NOT TO BE USED FOR CONSTRUCTION  
 DATE: JUNE 2018  
**\*\*DRAFT PLANSET - NOT FOR CONSTRUCTION**

## Attachment 2 - Mitigation Monitoring and Reporting Program

## **ATTACHMENT 2. MITIGATION MONITORING AND REPORTING PROGRAM**

The mitigation monitoring and reporting program (MMRP) table below is structured to enable quick reference to mitigation measures and the associated monitoring program based on the environmental resource. The numbering of mitigation measures correlates with numbering of measures found in the NCSD Interconnection Project Initial Study and Mitigated Negative Declaration.

The Nipomo Community Services District (NCSD) is the Lead Agency responsible for the adoption of the MMRP. As the project applicant, the NCSD is also responsible for implementation of the MMRP, in coordination with other government agencies. According to State CEQA Guidelines Section 15097(a), a public agency may delegate reporting or monitoring responsibilities to another public agency or to a private entity that accepts the delegation. However, until mitigation measures have been completed, the Lead Agency remains responsible for ensuring that the implementation of the measure occurs in accordance with the program.

**Table 6-1. Mitigation Monitoring and Reporting Program**

Mitigation Measure	Requirements of Measure	Compliance Method	Verification Timing	Responsible Party
<i>Air Quality</i>				
AIR-1	<p>Upon application for encroachment permits, all required PM10 measures shall be shown on applicable grading or construction plans and made applicable during grading and construction activities as described below.</p> <ol style="list-style-type: none"> <li>a. Reduce the amount of the disturbed area where possible;</li> <li>b. Use of water trucks or sprinkler systems in sufficient quantities to prevent airborne dust from leaving the site and from exceeding the San Luis Obispo County Air Pollution Control District's limit of 20% opacity for greater than 3 minutes in any 60-minute period shall be implemented. Increased watering frequency shall be required whenever wind speeds exceed 15 miles per hour. Reclaimed (non-potable) water shall be used whenever possible;</li> <li>c. All dirt stockpile areas shall be sprayed daily or covered with tarps or other dust barriers, as needed;</li> <li>d. Permanent dust control measures identified in the approved project revegetation plans shall be implemented as soon as possible following completion of any soil-disturbing activities;</li> <li>e. Exposed ground areas that are planned to be reworked at dates greater than 1 month after initial grading shall be sown with a fast germinating, non-invasive grass seed and watered until vegetation is established;</li> <li>f. All disturbed soil areas not subject to revegetation shall be stabilized using approved chemical soil binders, jute netting, or other methods approved in advance by the San Luis Obispo County Air Pollution Control District;</li> <li>g. All roadways, driveways, sidewalks, etc. to be paved shall be completed as soon as possible. In addition, building pads should be laid as soon as possible after grading unless seeding or soil binders are used;</li> <li>h. Vehicle speed for all construction vehicles shall not exceed 15 miles per hour on any unpaved surface at the construction site;</li> <li>i. All trucks hauling dirt, sand, soil, or other loose materials shall be covered or shall maintain at least 2 feet of freeboard (minimum vertical distance between top of load and top of trailer) in accordance with California Vehicle Code Section 23114;</li> <li>j. To the extent feasible, installation of wheel washers or other devices to control tracking of mud and dirt onto adjacent roadways where vehicles enter and exit unpaved roads onto streets shall be implemented, or trucks and equipment shall be washed prior to leaving the site;</li> <li>k. Streets shall be swept at the end of each day if visible soil material is carried onto adjacent paved roads. Water sweepers with reclaimed water shall be used where feasible. Roads shall be pre-wetted prior to sweeping</li> </ol>	<p>Implement dust control measures, verify onsite through regular site inspections throughout construction</p>	<p>Prior to finalization of design plans and throughout construction</p>	NCSD

Mitigation Measure	Requirements of Measure	Compliance Method	Verification Timing	Responsible Party
	<p>when feasible;</p> <p>I. The contractor or builder shall designate a person or persons to monitor the fugitive dust emissions and enhance the implementation of the measures as necessary to minimize dust complaints, reduce visible emissions below the San Luis Obispo County Air Pollution Control District's limit of 20% opacity for greater than 3 minutes in any 60-minute period, and to prevent transport of dust off-site. Their duties shall include holidays and weekend periods when work may not be in progress. The name and telephone number of such persons shall be provided to the San Luis Obispo County Air Pollution Control District Engineering &amp; Compliance Division prior to the start of any grading, earthwork, or demolition.</p>			
AIR-2	<p>Prior to issuance of encroachment permits, the following measures shall be incorporated into the construction phase of the project and shown on all applicable plans:</p> <p><u>Construction Equipment</u></p> <ol style="list-style-type: none"> <li>Maintain all construction equipment in proper tune according to manufacturer's specifications;</li> <li>Fuel all off-road and portable diesel-powered equipment with California Air Resources Board-certified motor vehicle diesel fuel (non-taxed version suitable for use off-road);</li> <li>Use diesel construction equipment meeting the California Air Resources Board's Tier 2 certified engines or cleaner off-road heavy-duty diesel engines, and comply with the State Off-Road Regulation;</li> <li>Use on-road heavy-duty trucks that meet the California Air Resources Board's 2007 or cleaner certification standard for on-road heavy-duty diesel engines, and comply with the State On-Road Regulation;</li> <li>Construction or trucking companies with fleets that do not have engines in their fleet that meet the engine standards identified in the above two measures (e.g., captive or oxides of nitrogen exempt area fleets) may be eligible by proving alternative compliance;</li> <li>All on- and off-road diesel equipment shall not idle for more than 5 minutes. Signs shall be posted in the designated queuing areas and or job sites to remind drivers and operators of the 5-minute idling limit;</li> <li>Diesel idling shall be avoided to the greatest extent feasible throughout the duration of construction activities. No idling in excess of 5 minutes shall be permitted as described above;</li> <li>Staging and queuing areas shall not be located within 1,000 feet of sensitive receptors whenever possible;</li> <li>Electrify equipment when feasible;</li> <li>Substitute gasoline-powered in place of diesel-powered equipment, where feasible; and,</li> <li>Use alternatively fueled construction equipment on-site where feasible,</li> </ol>	<p>Implement diesel idling restriction measures and identify truck routes; verify onsite through regular site inspections throughout construction</p>	<p>Prior to approval of improvement plans and throughout construction</p>	NCSD

Mitigation Measure	Requirements of Measure	Compliance Method	Verification Timing	Responsible Party
	such as compressed natural gas (CNG), liquefied natural gas (LNG), propane, or biodiesel.			
<b>Biological Resources</b>				
BIO-1	Within 30 days prior to and during disturbance to roadside vegetation, a qualified biologist shall conduct surveys for silvery legless lizards in the anticipated disturbance area for each of the proposed facilities. The biologist shall utilize hand search or cover board methods in areas of disturbance where legless lizards are expected to be found (e.g., under shrubs, other vegetation, or debris). If cover board methods are used, they shall commence at least 30 days prior to the start of construction. Hand search surveys should be completed immediately prior to and during disturbances to the vegetated areas. During vegetation disturbing activities, the qualified biologist shall walk behind the equipment to capture silvery legless lizards that are unearthed by the equipment. The biologist shall capture and relocate any legless lizards or other reptiles observed during the survey effort. The captured individuals shall be relocated from the construction area and placed in suitable habitat on the site but outside of the work area.	Retain qualified biologist, copies of preconstruction survey and site disturbance monitoring results shall be provided to the NCSD	Within 30 days prior to onset of ground disturbance activities, during construction	NCSD
BIO-2	Tree removal and site disturbance for the WMWC Facility shall be avoided during the monarch butterflies' fall and winter migration (late October through February) to the greatest extent feasible. If tree or vegetation removal or site disturbance is necessary during the monarch butterflies' fall and winter migration, a qualified biologist shall conduct a preconstruction survey for monarch butterflies that could utilize trees on the site for overwintering. If monarch butterflies are detected, development will be postponed until after the overwintering period or until a qualified biologist determines monarch butterflies are no longer utilizing the trees on site for overwintering.	Retain qualified biologist, copies of preconstruction survey results shall be provided to the NCSD if conducted	Prior to any tree removal or site disturbance at the WMWC Facility, during construction	NCSD
BIO-3	<p>Prior to tree removal or any site preparation, ground-disturbance, and related construction activities for the WMWC Facility, a qualified biologist shall conduct a nesting bird survey and verify that migratory birds are not nesting in the site. If nesting activity is detected, the following measures shall be implemented:</p> <ol style="list-style-type: none"> <li>a. The project shall be modified via the use of protective buffers, delaying construction activities, or other methods designated by the qualified biologist to avoid direct take of identified nests, eggs, and/or young protected under the MBTA and/or California Fish and Game Code;</li> <li>b. The qualified biologist shall document all active nests and submit a letter report to NCSD documenting project compliance with the MBTA, California Fish and Game Code, and applicable project mitigation measures.</li> </ol>	Retain qualified biologist, a letter report documenting preconstruction survey results and compliance with the MBTA, CA Fish and Game Code, and applicable mitigation measures shall be provided to the NCSD	Prior to tree removal or any site preparation or ground disturbance activities at the WMWC Facility	NCSD

Mitigation Measure	Requirements of Measure	Compliance Method	Verification Timing	Responsible Party
<b>Cultural Resources</b>				
CUL-1	<p>In the event that archaeological resources are encountered during the project, all ground disturbing activities in the vicinity of the find shall cease, and the NCSD shall be notified so that the extent and location of discovered materials may be assessed for significance and recorded by a qualified archaeologist.</p> <p>After the archaeological assessment is completed, the archaeologist shall submit a report describing the significance of the discovery with resource management recommendations to the NCSD. If the finding is determined to be an historical or unique archaeological resource, the NCSD must provide adequate time and funding to allow for sufficient implementation of appropriate mitigation. Should significant archaeological resources be found, the resources shall be treated in compliance with Public Resources Code Section 21083.2. If the project can be modified to accommodate avoidance, preservation of the site is the preferred alternative. Data recovery of the damaged portion of the site also shall be performed pursuant to Public Resources Code Section 21083.2(d).</p>	<p>If resources are encountered, retain qualified archaeologist, a report describing significance and documenting compliance with Public Resources Code Section 21083.2 shall be provided to the NCSD</p>	Throughout construction	NCSD
CUI-2	<p>If human remains are found, the County's Coroner and Sheriff Department shall be notified immediately and the NCSD shall comply with State Health and Safety Code Section 7050.5, which states that no further disturbance shall occur until the County Coroner has been notified and can make the necessary findings as to origin and disposition of the remains pursuant to Public Resources Code Section 5097.98.</p>	<p>If human remains are found, NCSD shall coordinate directly with the County Coroner's office and document compliance with State Health and Safety Code Section 7050.5</p>	Throughout construction	NCSD
<b>Geology and Soils</b>				
GEO-1	<p>If paleontological resources are encountered during ground-disturbing activities, activities in the immediate area of the find shall be halted and a qualified paleontologist shall be retained to evaluate the discovery and recommend appropriate treatment options pursuant to guidelines developed by the Society of Vertebrate Paleontology.</p>	<p>If paleontological resources are encountered, retain qualified paleontologist and document compliance with the guidelines developed by the Society of Vertebrate Paleontology</p>	Throughout construction	NCSD
<b>Noise</b>				
NOISE-1	<p>Construction activities shall be limited to the daytime hours of 7:00 a.m. to 9:00 p.m. Monday through Friday, and 8:00 a.m. to 5:00 p.m. on Saturday or Sunday.</p>	<p>Document construction hour limits on finalized design plans, verify</p>	Prior to finalization of design plans, throughout	NCSD

Mitigation Monitoring and Reporting Program

---

Mitigation Measure	Requirements of Measure	Compliance Method	Verification Timing	Responsible Party
NOISE-2	Internal combustion engines shall be equipped with the muffler recommended by the manufacturer. Internal combustion engines shall not be operated on the job site without the appropriate muffler.	onsite through regular site inspections throughout construction	construction	NCSD



*This page intentionally left blank.*